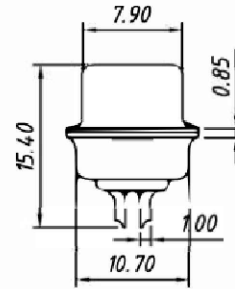
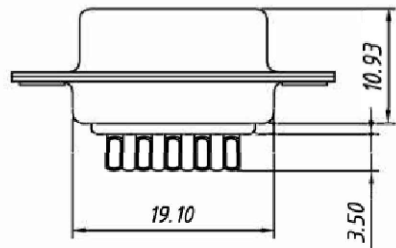
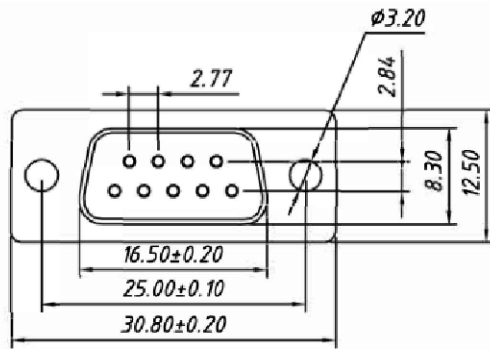


RoHS Compliance



Material:

Housing:PBT+30% Glass Filled,UL94V-0

Contacts:Brass ,

Gold Plating On Contact Area,

Tin On Solder Tail.

Shell:Steel,

Front Shell Nickel Plating,

Back Shell Tin Plating

Electrical Characteristics:

Current Rating:5AMP

Insulator Resistance:1000MΩ Min. at DC 500V

Withstanding Voltage: 500V AC (rms) For 1 Minute

Contact Resistance:20MΩ Max. Initial

Operating Temperature:-55°C~+105°C

Order Information:

ERYAY13-09-F-L

D-SUB Connector,

2 Row Solder Type,

Simple Terminal

Number Of Contacts

Connector Type: F-Female

Housing Color:

B-Black L-Blue W-White

NINGBO ERYCO ELECTRONIC CO.,LTD

UNITS:mm

SHEET SIZE: A4

SCALE:---

DRWN BY PAN

D-SUB Connector,Solder Type,
Female, Simple Terminal

0~3

3~18

18~50

50~120

CHK'D BY FENG

THIRD ANGLE PROJECTION

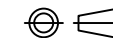
±0.12

±0.15

±0.3

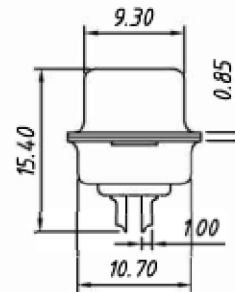
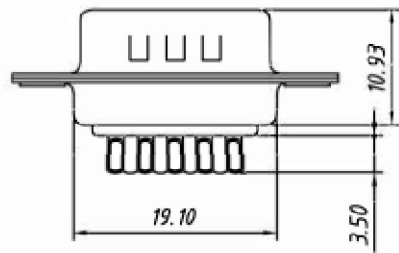
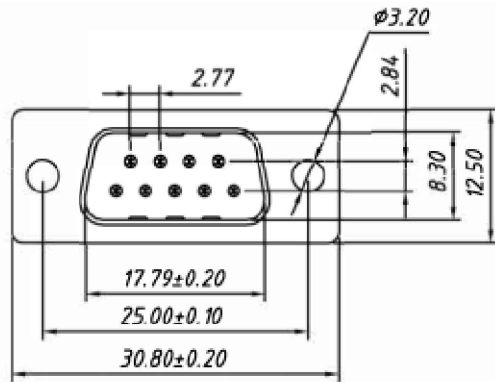
±0.5

APPR BY ZHAN



ERYAY13-09-F-L

RoHS Compliance



Material:

Housing:PBT+30% Glass Filled,UL94V-0

Contacts:Brass ,

Gold Plating On Contact Area,

Tin On Solder Tail.

Shell:Steel,

Front Shell Nickel Plating,

Back Shell Tin Plating

Electrical Characteristics:

Current Rating:5AMP

Insulator Resistance:1000MΩ Min. at DC 500V

Withstanding Voltage: 500V AC (rms) For 1 Minute

Contact Resistance:20MΩ Max. Initial

Operating Temperature:-55°C~+105°C

Order Information:

ERYAY13-09-M-L

D-SUB Connector,

2 Row Solder Type,

Simple Terminal

Number Of Contacts

Connector Type: M-Male

Housing Color:

B-Black L-Blue W-White

NINGBO ERYCO ELECTRONIC CO.,LTD

UNITS:mm

SHEET SIZE: A4

SCALE:---

DRWN BY PAN

D-SUB Connector, 9PIN
Solder Type, Male, Simple Terminal

0~3

3~18

18~50

50~120

CHK'D BY FENG

THIRD ANGLE PROJECTION

±0.12

±0.15

±0.3

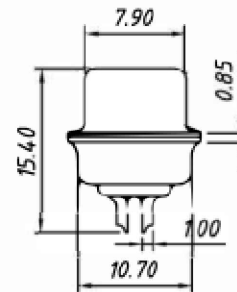
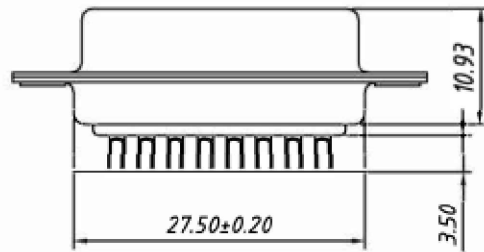
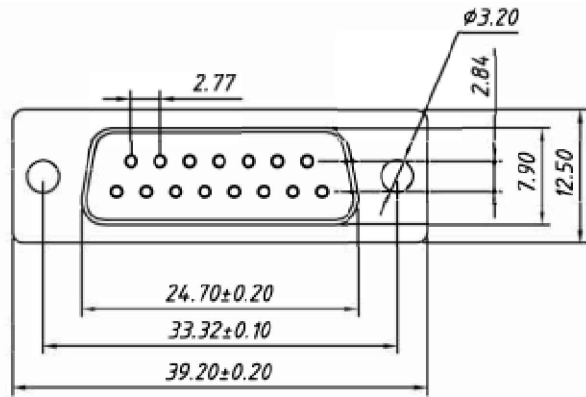
±0.5

APPR BY ZHAN



ERYAY13-09-M-L

RoHS Compliance



Material:

Housing:PBT+30% Glass Filled,UL94V-0

Contacts:Brass ,

Gold Plating On Contact Area,

Tin On Solder Tail.

Shell:Steel,

Front Shell Nickel Plating,

Back Shell Tin Plating

Electrical Characteristics:

Current Rating:5AMP

Insulator Resistance1000MΩ Min. at DC 500V

Withstanding Voltage: 500V AC (rms) For 1 Minute

Contact Resistance:20MΩ Max. Initial

Operating Temperature:-55°C~+105°C

Order Information:

ERYAY13-15-F-L

D-SUB Connector,

2 Row Solder Type,

Simple Terminal

Number Of Contacts

Connector Type: F-Female

Housing Color:

B-Black L-Blue W-White

NINGBO ERYCO ELECTRONIC CO.,LTD

UNITS:mm

SHEET SIZE: A4

SCALE:---

DRWN BY PAN

D-SUB Connector, 15P,Solder Type, Female, Simple Terminal

0~3

3~18

18~50

50~120

CHK'D BY FENG

THIRD ANGLE PROJECTION

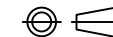
±0.12

±0.15

±0.3

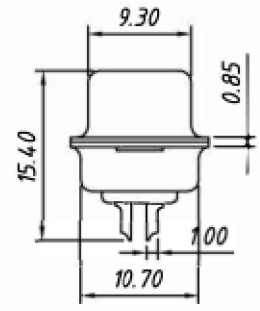
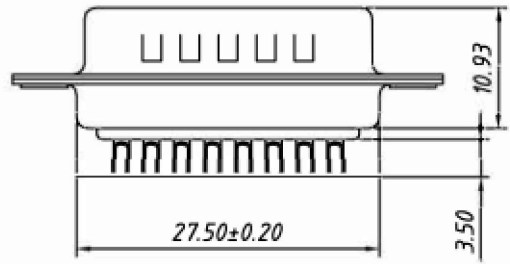
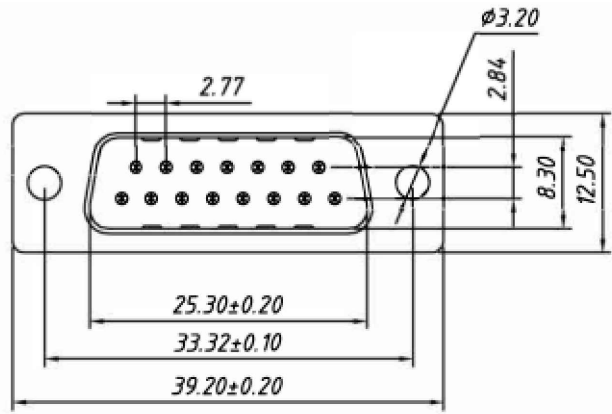
±0.5

APPR BY ZHAN



ERYAY13-15-F-L

RoHS Compliance



Material:
 Housing:PBT+30% Glass Filled,UL94V-0
 Contacts:Brass ,
 Gold Plating On Contact Arer,
 Tin On Solder Tail.
 Shell:Steel,
 Front Shell Nickel Plating,
 Back Shell Tin Plating
 Electrical Characteristics:
 Current Rating:5AMP
 Insulator Resistance1000MΩ Min. at DC 500V
 Withstanding Voltage: 500V AC (rms) For 1 Minute
 Contact Resistance:20MΩ Max. Initial
 Operating Temperature:-55°C~+105°C

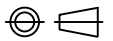
Order Information:

ERYAY13-15-M-L

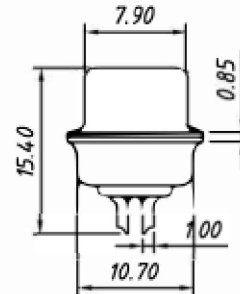
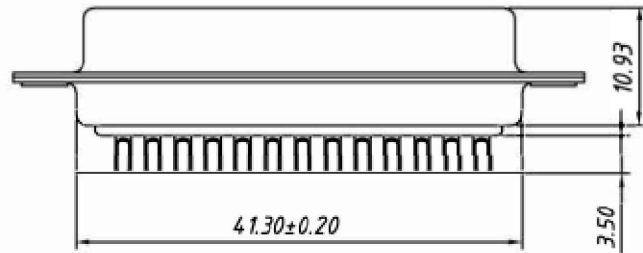
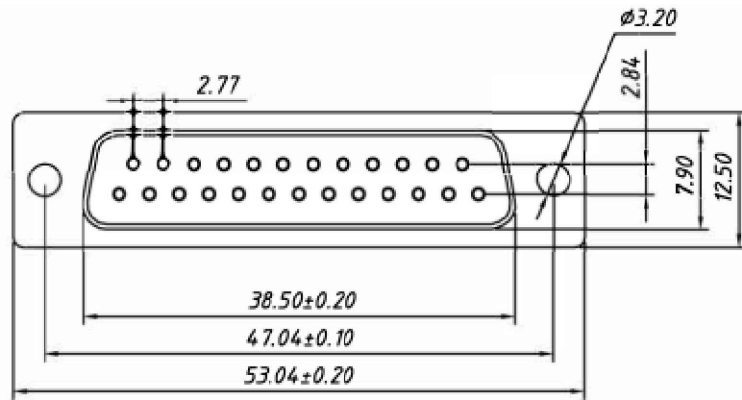
D-SUB Connector,
 2 Row Solder Type,
 Simple Terminal
 Number Of Contacts
 Connector Type: M-Male
 Housing Color:
 B-Black L-Blue W-White

NINGBO ERYCO ELECTRONIC CO.,LTD

UNITS:mm	SHEET SIZE: A4		SCALE:---	DRWN BY PAN
0~3	3~18	18~50	50~120	CHK'D BY FENG
±0.12	±0.15	±0.3	±0.5	APPR BY ZHAN

D-SUB Connector, 15 PIN
 Solder Type, Male, Simple Terminal
 THIRD ANGLE PROJECTION

 ERYAY13-15-M-L

RoHS Compliance



Material:
 Housing:PBT+30% Glass Filled,UL94V-0
 Contacts:Brass ,
 Gold Plating On Contact Arer,
 Tin On Solder Tail.
 Shell:Steel,
 Front Shell Nickel Plating,
 Back Shell Tin Plating
 Electrical Characteristics:
 Current Rating:5AMP
 Insulator Resistance1000MΩ Min. at DC 500V
 Withstanding Voltage: 500V AC (rms) For 1 Minute
 Contact Resistance:20MΩ Max. Initial
 Operating Temperature:-55°C~+105°C

Order Information:

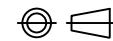
ERYAY13-25-F-L

D-SUB Connector,
 2 Row Solder Type,
 Simple Terminal
 Number Of Contacts
 Connector Type: F-Female
 Housing Color:
 B-Black L-Blue W-White

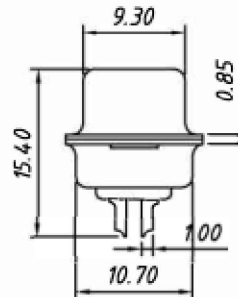
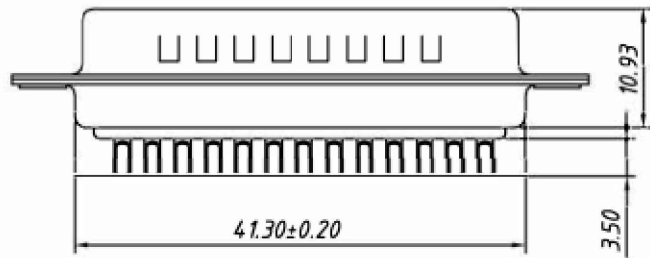
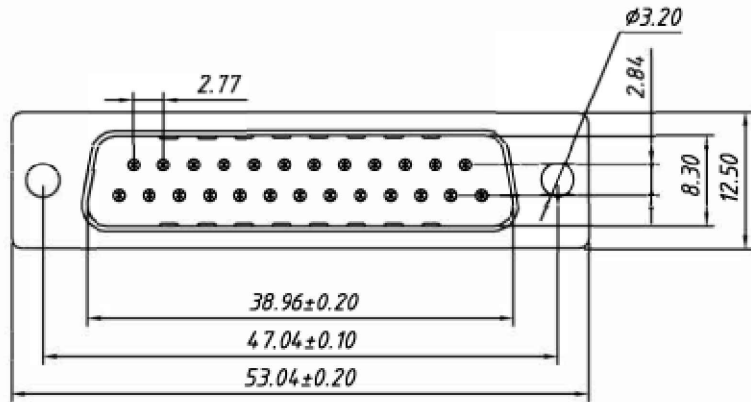
NINGBO ERYCO ELECTRONIC CO.,LTD

UNITS:mm	SHEET SIZE: A4			SCALE:---	DRWN BY PAN
0~3	3~18	18~50	50~120	CHK'D BY FENG	
±0.12	±0.15	±0.3	±0.5	APPR BY ZHAN	

D-SUB Connector,25P,Solder Type, Female, Simple Terminal	
THIRD ANGLE PROJECTION	ERYAY13-25-F-L



RoHS Compliance



Material:
 Housing:PBT+30% Glass Filled,UL94V-0
 Contacts:Brass ,
 Gold Plating On Contact Arer,
 Tin On Solder Tail.
 Shell:Steel,
 Front Shell Nickel Plating,
 Back Shell Tin Plating
 Electrical Characteristics:
 Current Rating:5AMP
 Insulator Resistance1000MΩ Min. at DC 500V
 Withstanding Voltage: 500V AC (rms) For 1 Minute
 Contact Resistance:20MΩ Max. Initial
 Operating Temperature:-55°C~+105°C

Order Information:

ERYAY13-25-M-L

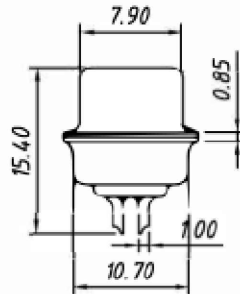
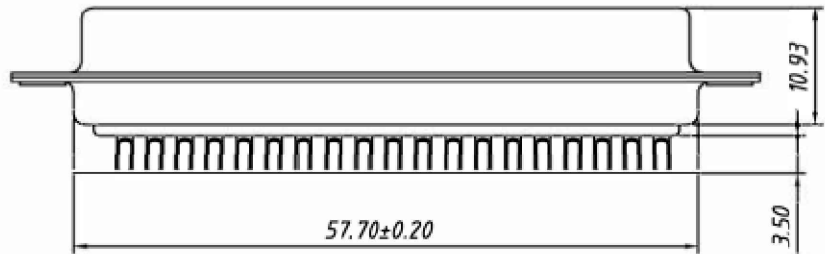
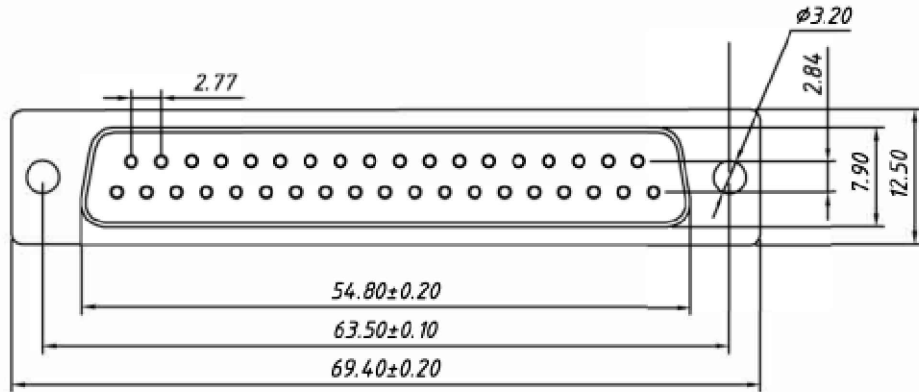
D-SUB Connector,
 2 Row Solder Type,
 Simple Terminal
 Number Of Contacts
 Connector Type: M-Male
 Housing Color:
 B-Black L-Blue W-White

NINGBO ERYCO ELECTRONIC CO.,LTD

UNITS:mm	SHEET SIZE: A4			SCALE:---	DRWN BY PAN
0~3	3~18	18~50	50~120	CHK'D BY FENG	
±0.12	±0.15	±0.3	±0.5	APPR BY ZHAN	

D-SUB Connector, 25 PIN Solder Type, Male, Simple Terminal	
THIRD ANGLE PROJECTION 	ERYAY13-25-M-L

RoHS Compliance



Material:

Housing:PBT+30% Glass Filled,UL94V-0

Contacts:Brass ,

Gold Plating On Contact Area,

Tin On Solder Tail.

Shell:Steel,

Front Shell Nickel Plating,

Back Shell Tin Plating

Electrical Characteristics:

Current Rating:5AMP

Insulator Resistance:1000MΩ Min. at DC 500V

Withstanding Voltage: 500V AC (rms) For 1 Minute

Contact Resistance:20MΩ Max. Initial

Operating Temperature:-55°C~+105°C

Order Information:

ERYAY13-37-F-L

D-SUB Connector,

2 Row Solder Type,

Simple Terminal

Number Of Contacts

Connector Type: F-Female

Housing Color:

B-Black L-Blue W-White

NINGBO ERYCO ELECTRONIC CO.,LTD

UNITS:mm

SHEET SIZE: A4

SCALE:---

DRWN BY PAN

D-SUB Connector,37P,Solder Type, Female, Simple Terminal

0~3

3~18

18~50

50~120

CHK'D BY FENG

THIRD ANGLE PROJECTION

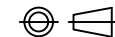
±0.12

±0.15

±0.3

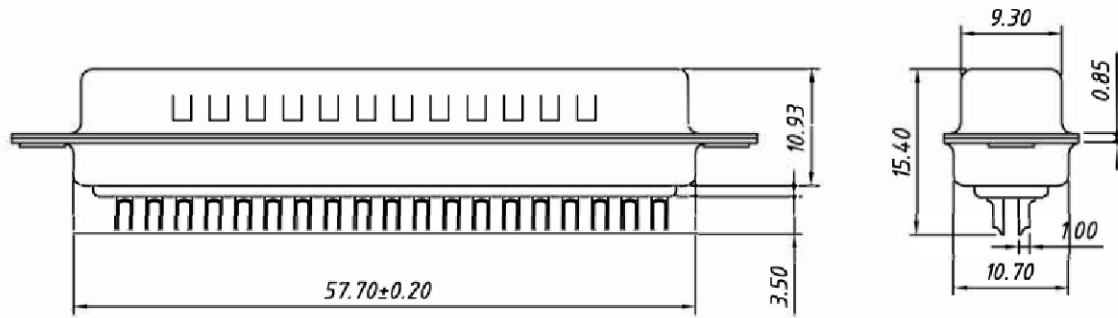
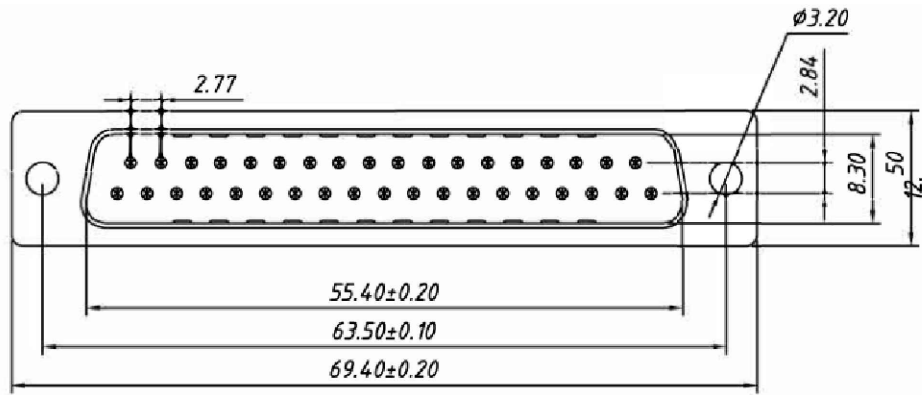
±0.5

APPR BY ZHAN



ERYAY13-37-F-L

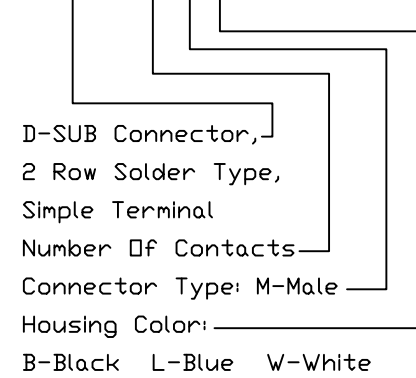
RoHS Compliance



Material:
 Housing:PBT+30% Glass Filled,UL94V-0
 Contacts:Brass ,
 Gold Plating On Contact Arer,
 Tin On Solder Tail.
 Shell:Steel,
 Front Shell Nickel Plating,
 Back Shell Tin Plating
 Electrical Characteristics:
 Current Rating:5AMP
 Insulator Resistance1000MΩ Min. at DC 500V
 Withstanding Voltage: 500V AC (rms) For 1 Minute
 Contact Resistance:20MΩ Max. Initial
 Operating Temperature:-55°C~+105°C

Order Information:

ERYAY13-37-M-L



NINGBO ERYCO ELECTRONIC CO.,LTD

UNITS:mm	SHEET SIZE: A4			SCALE:---	DRWN BY PAN
0~3	3~18	18~50	50~120	CHK'D BY FENG	THIRD ANGLE PROJECTION
±0.12	±0.15	±0.3	±0.5	APPR BY ZHAN	

D-SUB Connector, 37 PIN
 Solder Type, Male, Simple Terminal
 ERYAY13-37-M-L