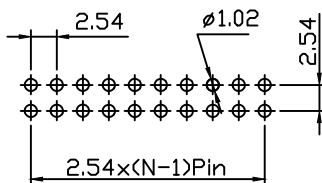
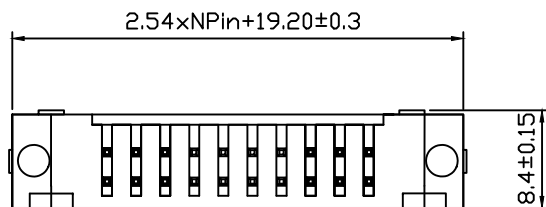
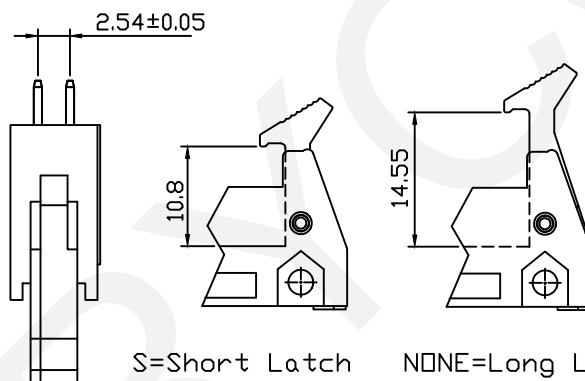
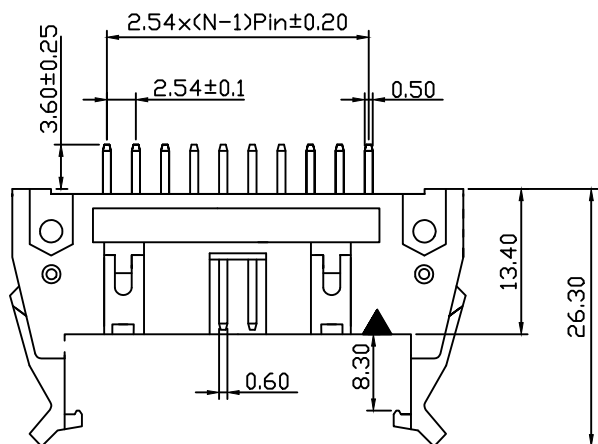


RoHS Compliance

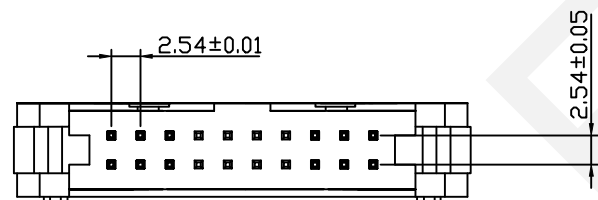


Recommended P.C.B Layout(Top Side)
(PCB BOARD TOLERANCE±0.05)



S=Short Latch

NONE=Long Latch



Material:
Housing: PBT, UL94V-0
Contact: Brass
Plating: Gold Plated 0.8u"

Electrical Characteristics:
Rated Current: 3.0AMP
Contact Resistance: 20MΩ Max
Withstand Voltage: 1000V AC/DC
Insulator Resistance: 1000MΩ Min

Mechanical
Operating Temperature: -40°C~+105°C
Max.Processing Temp: 180°C For 30-60
Seconds (200°C For 10 Seconds)

Order Information:

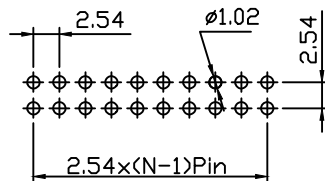
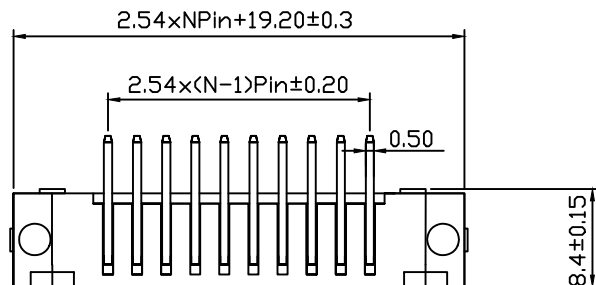
ERYAY01X - XX-S-B-□-□
Box Header Series
01X: 2.54mm Pitch
XX-No.of 06~64 Pin
Type:S-Straight Pin
R-Right Angle Pin
Color:B-Black G-Gray
Latch Type:NONE=Long Latch
S=Short Latch
Material:NONE=PBT B=PA6T

NINGBO ERYCO ELECTRONIC CO.,LTD

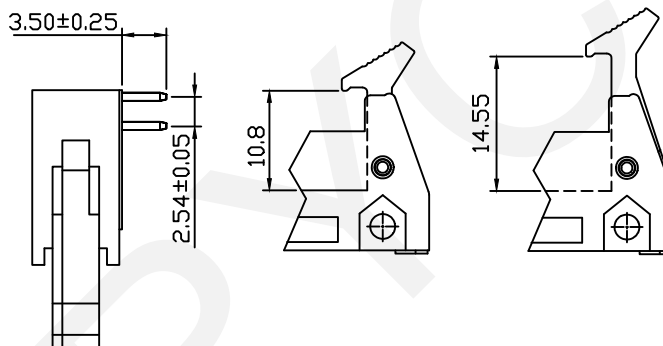
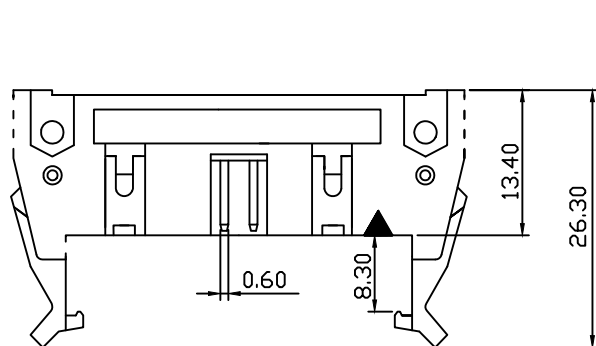
UNITS:mm	SHEET SIZE: A4			SCALE:---	DRWN BY PAN
0~3	3~18	18~50	50~120	CHK'D BY FENG	
±0.12	±0.15	±0.3	±0.5	APPR BY ZHAN	

2.54mm Pitch	
Box Header Connector With Latch	
THIRD ANGLE PROJECTION	ERYAY01X-XX-S-B-□-□

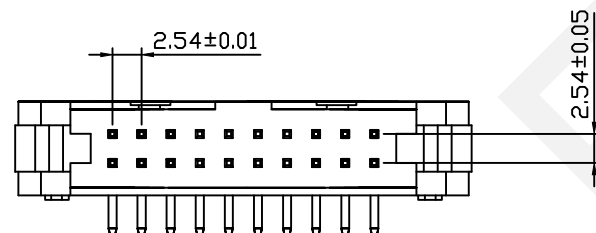
RoHS Compliance



Recommended P.C.B Layout(Top Side)
(PCB BOARD TOLERANCE±0.05)



S=Short Latch NONE=Long Latch



Material:
Housing: PBT, UL94V-0
Contact: Brass
Plating: Gold Plated 0.8u"

Electrical Characteristics:
Rated Current: 3.0AMP
Contact Resistance: 20MΩ Max
Withstand Voltage: 1000V AC/DC
Insulator Resistance: 1000MΩ Min

Mechanical
Operating Temperature: -40°C~+105°C
Max.Processing Temp: 180°C For 30-60
Seconds (200°C For 10 Seconds)

Order Information:
ERYAY01X - XX-R-B-□-□
Box Header Series
01X: 2.54mm Pitch
XX-No.of 06~64 Pin
Type:S-Straight Pin
R-Right Angle Pin
Color:B-Black G-Gray
Latch Type:NONE=Long Latch
S=Short Latch
Material:NONE=PBT B=PA6T

NINGBO ERYCO ELECTRONIC CO.,LTD

UNITS:mm	SHEET SIZE: A4			SCALE:---	DRWN BY PAN
0~3	3~18	18~50	50~120	CHK'D BY FENG	
±0.12	±0.15	±0.3	±0.5	APPR BY ZHAN	

2.54mm Pitch Box Header Connector With Latch	
THIRD ANGLE PROJECTION 	ERYAY01X-XX-R-B-□-□