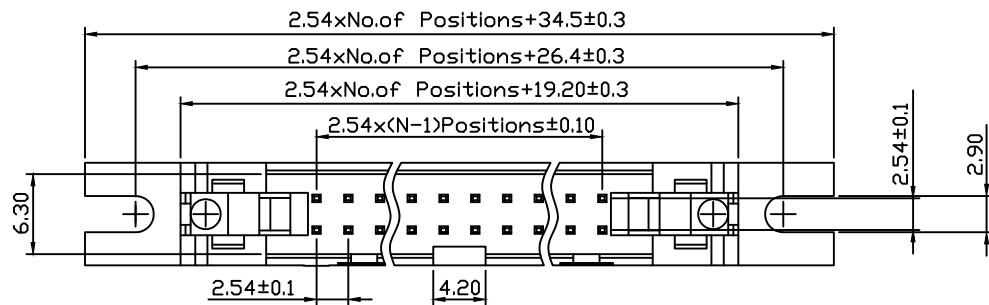
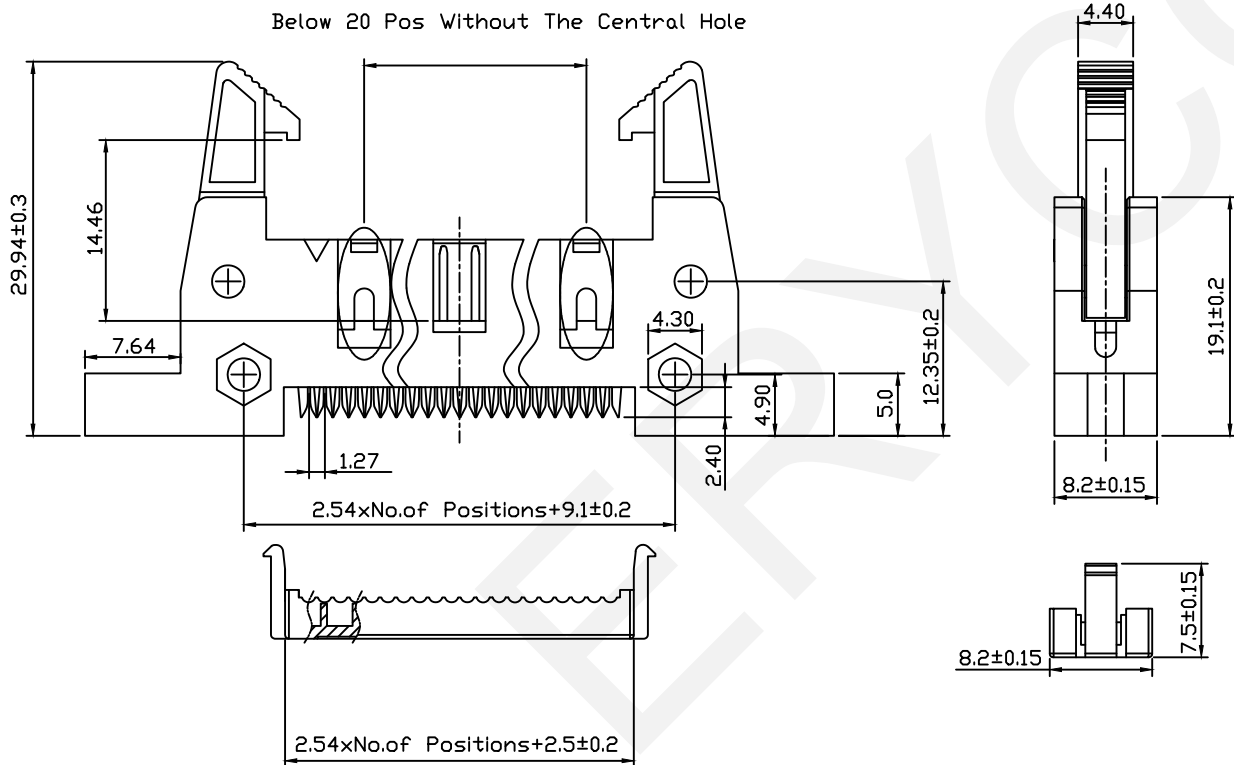


RoHS Compliance



Below 20 Pos Without The Central Hole



Material:
 Housing: PBT, UL94V-0
 Contact: Brass
 Plating: Au or Sn Over Ni
 Cable: 1.27mm(0.050") Pitch Flat Cable

Electrical Characteristics:
 Rated Current: 3.0AMP
 Withstand Voltage: 1000V AC/DC
 Insulator Resistance: 1000M ohm Min
 Contact Resistance: 20M ohm Max
 Operating Temperature: -40°C~+105°C
 Max.Processing Temp: 180°C For 30-60
 Seconds (200°C For 10 Seconds)

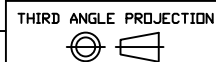
Order Information:

ERYAY01Y-XX-G-E

IDC Connectors
 2.54mm Pitch
 XX-No.of 06~64pin
 Color: B-Black G-Gray
 Type: _____
 E-With Ears N-Without Ears

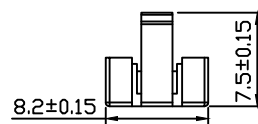
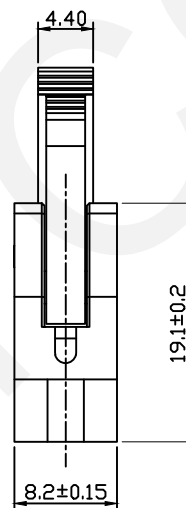
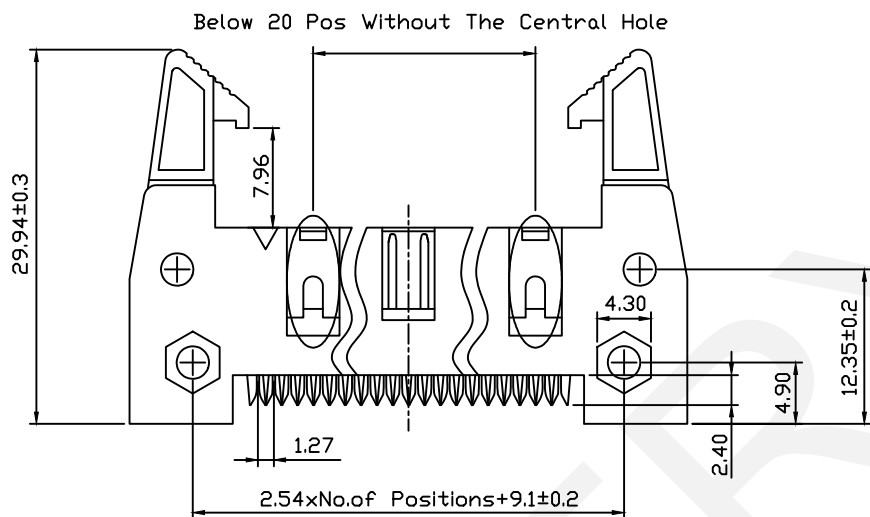
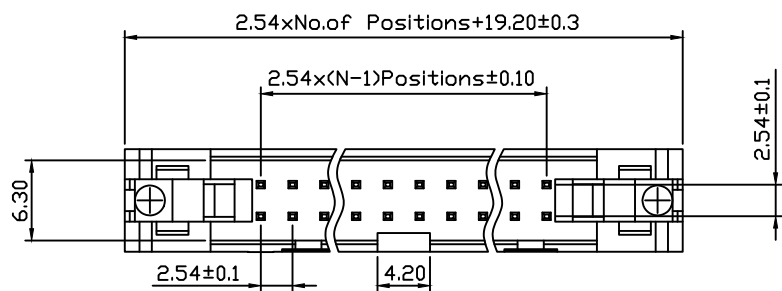
NINGBO ERYCO ELECTRONIC CO.,LTD

UNITS:mm	SHEET SIZE: A4				SCALE:---	DRWN BY PAN
0~3	3~18	18~50	50~120	CHK'D BY FENG	2.54mm Pitch IDC Box Header Connector	
±0.12	±0.15	±0.3	±0.5	APPR BY ZHAN	THIRD ANGLE PROJECTION	



ERYAY01Y-XX-G-E

RoHS Compliance



Material:

Housing: PBT, UL94V-0

Contact: Brass

Plating: Au or Sn Over Ni

Cable: 1.27mm(0.050") Pitch Flat Cable

Electrical Characteristics:

Rated Current: 3.0AMP

Withstand Voltage: 1000V AC/DC

Insulator Resistance: 1000M ohm Min

Contact Resistance: 20M ohm Max

Operating Temperature: -40°C~+105°C

Max.Processing Temp: 180°C For 30-60

Seconds (200°C For 10 Seconds)

Order Information:

ERYAY01Y-XX-G-N

IDC Connectors

2.54mm Pitch

XX-No.of 06~64pin

Color: B-Black G-Gray

Type:

E-With Ears N-Without Ears

NINGBO ERYCO ELECTRONIC CO.,LTD

UNITS:mm	SHEET SIZE: A4	SCALE:---	DRWN BY PAN
0~3	3~18	18~50	50~120
±0.12	±0.15	±0.3	±0.5
CHK'D BY FENG		APPR BY ZHAN	

2.54mm Pitch IDC Box Header Connector

THIRD ANGLE PROJECTION



ERYAY01Y-XX-G-N