





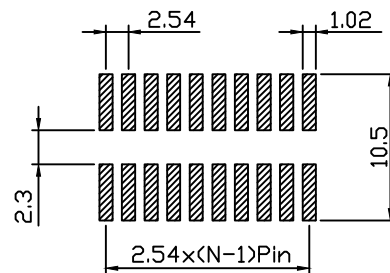
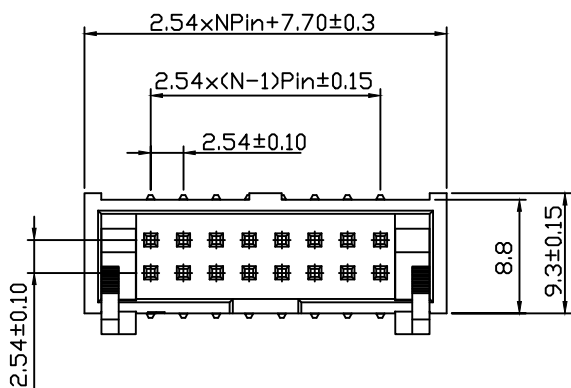
RoHS Compliance

Material:  
 Housing: PBT, UL94V-0  
 Contact: Brass  
 Plating: Gold Plated 0.8u"

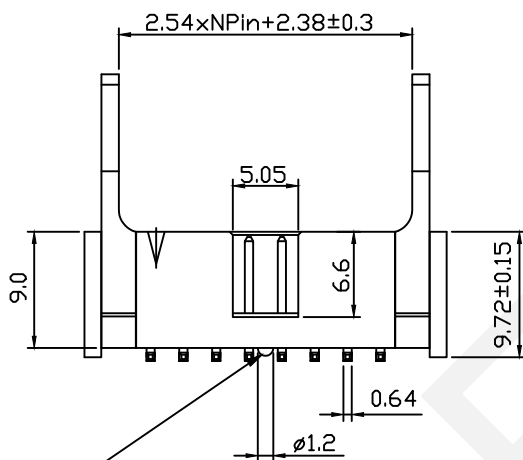
Electrical Characteristics:  
 Rated Current: 3.0AMP  
 Contact Resistance: 20MΩ Max  
 Withstand Voltage: 1000V AC/DC  
 Insulator Resistance: 1000MΩ Min

Mechanical  
 Operating Temperature: -40°C~+105°C  
 Max.Processing Temp: 230°C For 30-60  
 Seconds (260°C For 10 Seconds)

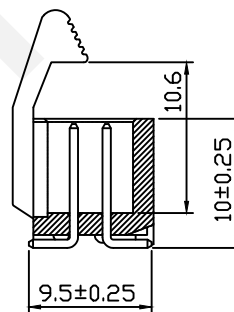
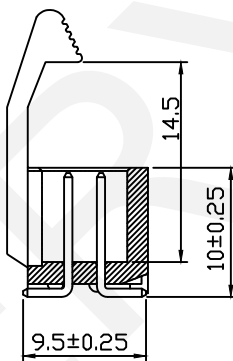
Order Information:  
ERYAY02G - XX-T-B-D-B-A  
 Box Header Series  
 02G: 2.54mm Pitch  
 XX-No.of 08~64 Pin  
 Type:S-Straight Pin  
 R-Right Angle Pin T-SMT  
 Color:B-Black G-Gray  
 Latch Type:D=Long Latch  
 D1=Short Latch  
 Material:B=PA6T  
 Packing: \_\_\_\_\_  
 =Tray



Recommended P.C.B Layout(Top Side)  
 (PCB BOARD TOLERANCE±0.05)



D=Long Latch      D1=Short Latch



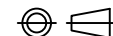
Note: 2xNPin No Convex Point(N Is An Odd Number)

NINGBO ERYCO ELECTRONIC CO.,LTD

UNITS:mm	SHEET SIZE: A4			SCALE:---	DRWN BY PAN
0~3	3~18	18~50	50~120	CHK'D BY FENG	
±0.12	±0.15	±0.3	±0.5	APPR BY ZHAN	

2.54mm Pitch Box Header Connector

THIRD ANGLE PROJECTION



ERYAY02G-XX-T-B-D-B-A