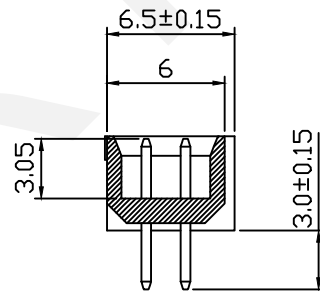
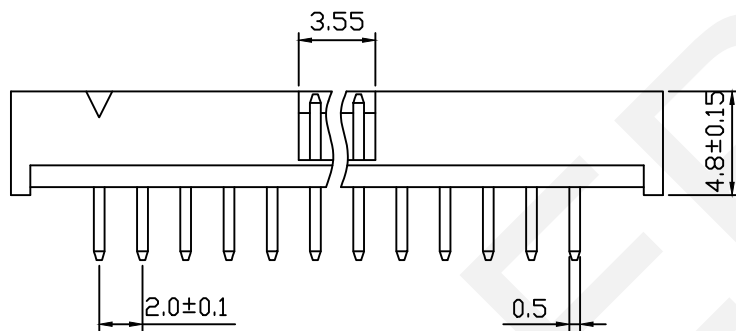


Recommended P.C.B Layout(Top Side)
(PCB BOARD TOLERANCE±0.05)



Material:
Housing: LCP,UL94V-0
Contact: Brass
Plating: Au Or Sn Over Ni

Electrical Characteristics:
Rated Current: 2.0AMP
Contact Resistance: 20MΩ Max
Withstand Voltage: 500V AC/DC
Insulator Resistance: 1000MΩ Min

Mechanical
Operating Temperature:-40°C~+105°C
Max.Processing Temp:230°C For 30-60
Seconds (260°C For 10 Seconds)

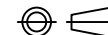
Order Information:
ERYAY02J-XX-S-B-C
Box Header Series
02J: 2.00mm Pitch
XX-No.of 06~64 pins
Type:S-Straight pin
R-Right Angle Pin T-SMT
Color:B-Black G-Gray
Material:NDNE=PA6T C=LCP

NINGBO ERYCO ELECTRONIC CO.,LTD

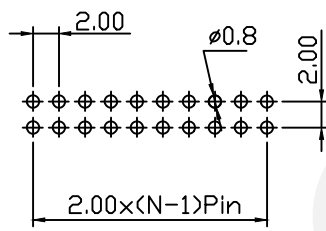
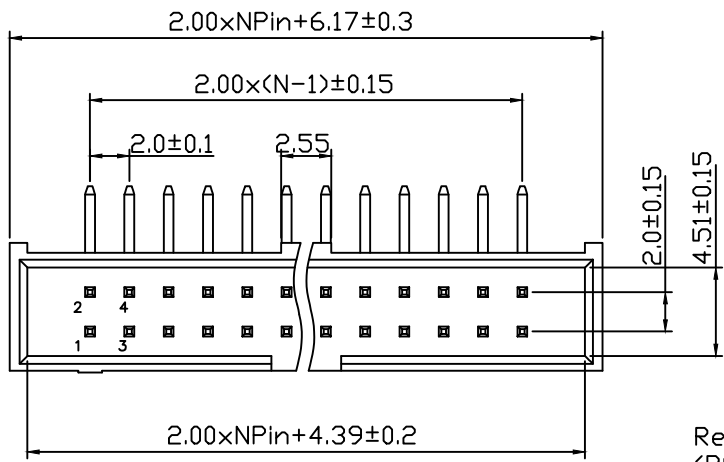
UNITS:mm	SHEET SIZE: A4			SCALE:---	DRWN BY PAN
0~3	3~18	18~50	50~120	CHK'D BY FENG	
±0.12	±0.15	±0.3	±0.5	APPR BY ZHAN	

2.00mm Pitch Box Header Connector

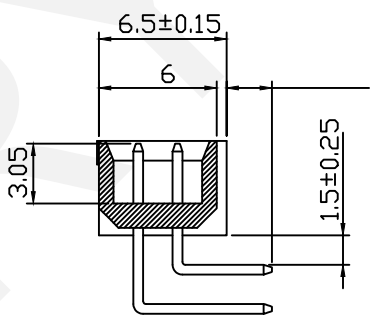
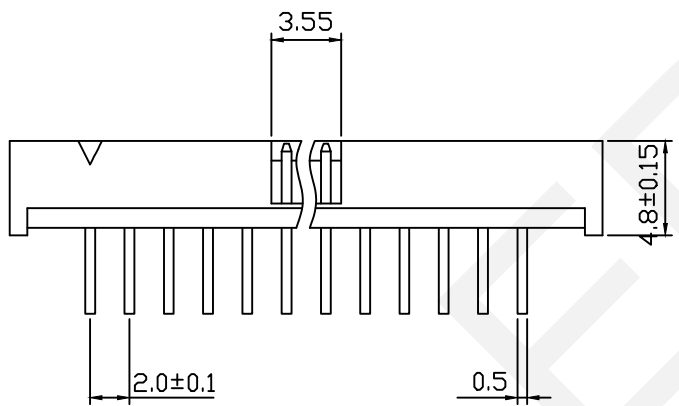
THIRD ANGLE PROJECTION



ERYAY02J-XX-S-B-C



Recommended P.C.B Layout(Top Side)
(PCB BOARD TOLERANCE±0.05)



Material:
Housing: LCP,UL94V-0
Contact: Brass
Plating: Au Or Sn Over Ni

Electrical Characteristics:
Rated Current: 2.0AMP
Contact Resistance: 20MΩ Max
Withstand Voltage: 500V AC/DC
Insulator Resistance: 1000MΩ Min

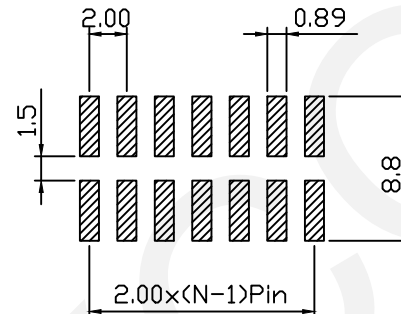
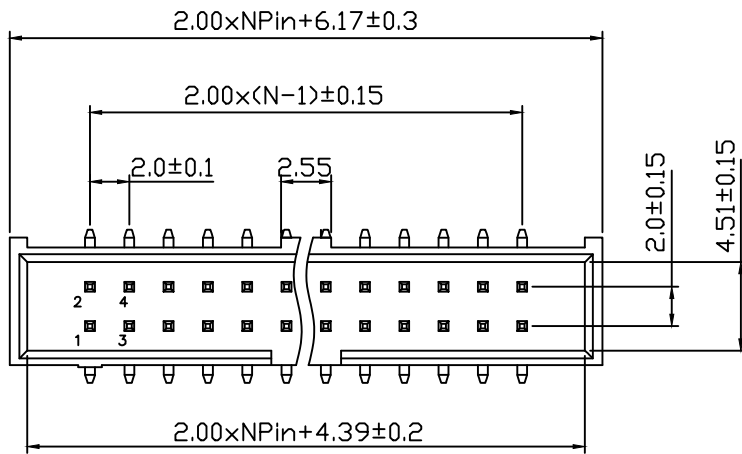
Mechanical
Operating Temperature:-40°C~+105°C
Max.Processing Temp:230°C For 30-60
Seconds (260°C For 10 Seconds)

Order Information:
ERYAY02J-XX-R-B-C
Box Header Series
02J: 2.00mm Pitch
XX-No.of 06~64 pins
Type:S-Straight pin
R-Right Angle Pin T-SMT
Color:B-Black G-Gray
Material:NONE=PA6T C=LCP

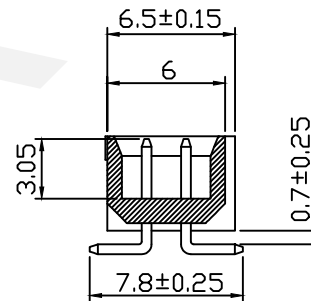
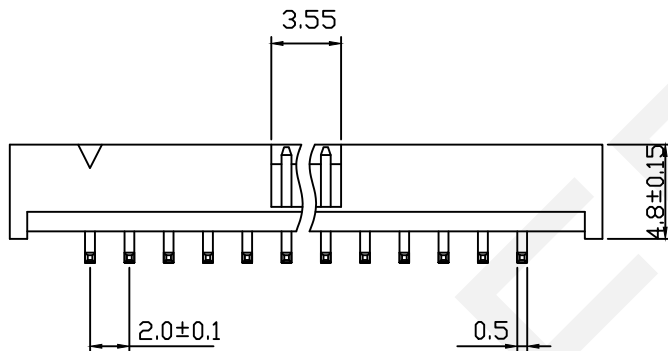
NINGBO ERYCO ELECTRONIC CO.,LTD

UNITS:mm	SHEET SIZE: A4			SCALE:---	DRWN BY PAN
0~3	3~18	18~50	50~120	CHK'D BY FENG	
±0.12	±0.15	±0.3	±0.5	APPR BY ZHAN	

2.00mm Pitch Box Header Connector
THIRD ANGLE PROJECTION
ERYAY02J-XX-R-B-C



Recommended P.C.B Layout(Top Side)
(PCB BOARD TOLERANCE±0.05)



Material:
Housing: LCP,UL94V-0
Contact: Brass
Plating: Au Or Sn Over Ni

Electrical Characteristics:
Rated Current: 2.0AMP
Contact Resistance: 20MΩ Max
Withstand Voltage: 500V AC/DC
Insulator Resistance: 1000MΩ Min

Mechanical
Operating Temperature:-40°C~+105°C
Max.Processing Temp:230°C For 30-60
Seconds (260°C For 10 Seconds)

Order Information:

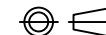
ERYAY02J-XX-T-B-C
Box Header Series
02J: 2.00mm Pitch
XX-No.of 06~64 pins
Type:S-Straight pin
R-Right Angle Pin T-SMT
Color:B-Black G-Gray
Material:NONE=PA6T C=LCP

NINGBO ERYCO ELECTRONIC CO.,LTD

UNITS:mm	SHEET SIZE: A4			SCALE:---	DRWN BY PAN
0~3	3~18	18~50	50~120	CHK'D BY FENG	
±0.12	±0.15	±0.3	±0.5	APPR BY ZHAN	

2.00mm Pitch Box Header Connector

THIRD ANGLE PROJECTION



ERYAY02J-XX-T-B-C