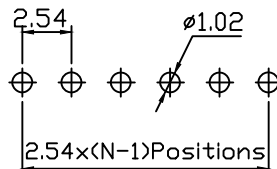
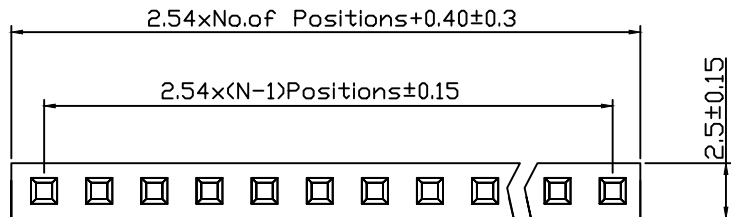
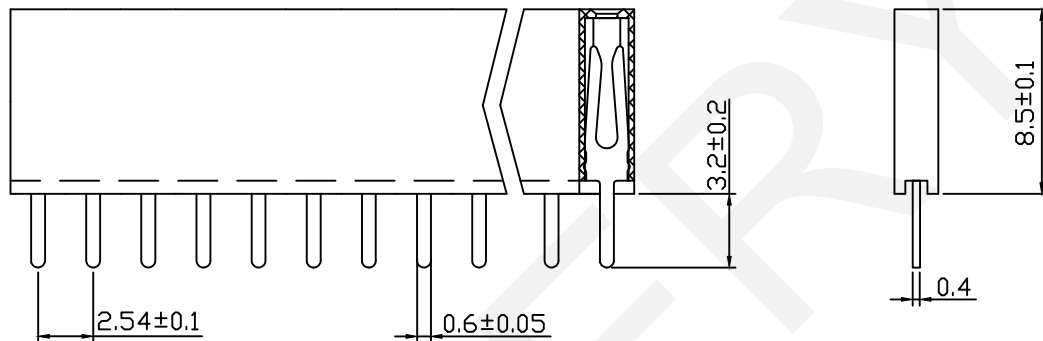


RoHS Compliance



Recommended P.C.B Hole Layout



Material:  
 Standard:PBT/PA6T  
 Contact: Brass  
 Plating: Au or Sn Over Ni  
 Insulator: Polyester, UL94V-0

Electrical Characteristics:  
 Rated Current: 3.0AMP  
 Contact Resistance: 20mΩ Max  
 Withstand Voltage: 1000V AC/DC  
 Insulator Resistance: 1000MΩ Min

Mechanical  
 Operating Temperature: -40°C~+105°C  
 Max.Processing Temp: 180°C For 30-60  
 Seconds (200°C For 10 Seconds)

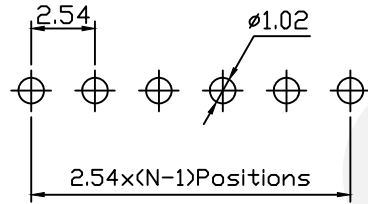
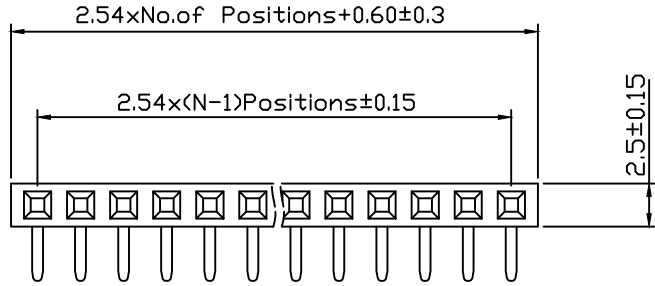
Order Information:  
 ERYAY08-1-XX-S-B  
 Pin Header Series  
 08:2.54mm  
 Per Row: Single Layer  
 Pin: No.of Pins (1x40)  
 Type: Straight Pin  
 Material:  
 A=PBT B=PA6T C=LCP

NINGBO ERYCO ELECTRONIC CO.,LTD

UNITS:mm	SHEET SIZE: A4	SCALE:---	DRWN BY PAN
0~3	3~18	18~50	50~120
±0.12	±0.15	±0.3	±0.5
			CHK'D BY FENG
			APPR BY ZHAN

2.54x8.5mm Female Header Single Layer, Straight Pin, 1xN Pin	
THIRD ANGLE PROJECTION	ERYAY08-1-XX-S-B

RoHS Compliance

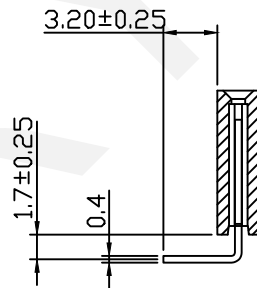
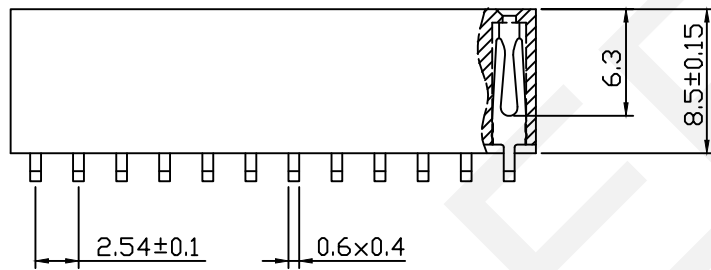


Recommended P.C.B Hole Layout

Material:  
 Standard:PBT/PA6T  
 Contact: Brass  
 Contact Plating:Au Or Sn Over Ni  
 Nickel Insulator:Polyester,UL94V-0

Electrical Characteristics:  
 Rated Current: 3.0AMP  
 Contact Resistance: 20mΩ Max  
 Withstand Voltage: 1000V AC/DC  
 Insulator Resistance: 1000MΩ Min

Mechanical  
 Operating Temperature:-40°C~+105°C  
 Max.Processing Temp:180°C For 30-60  
 Seconds (200°C For 10 Seconds)



Order Information:

ERYAY08-1-XX-R-B

Pin Header Series

08:2.54mm

Per Row:Single Layer

Pin: No.of Pins (1x40)

Type:Right Angle Pin

Material:

A=PBT B=PA6T C=LCP

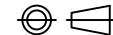
NINGBO ERYCO ELECTRONIC CO.,LTD

UNITS:mm	SHEET SIZE: A4	SCALE:---	DRWN BY PAN
0~3	3~18	18~50	50~120
±0.12	±0.15	±0.3	±0.5

CHK'D BY FENG  
 APPR BY ZHAN

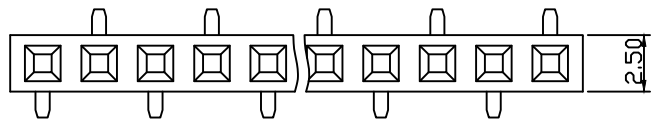
2.54x8.5mm Female Header Single Layer,Type:Right Angle Pin, 1xN Pin

THIRD ANGLE PROJECTION

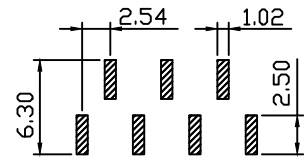


ERYAY08-1-XX-R-B

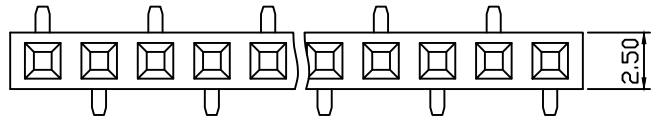
RoHS Compliance



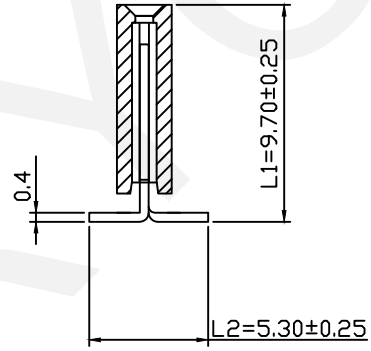
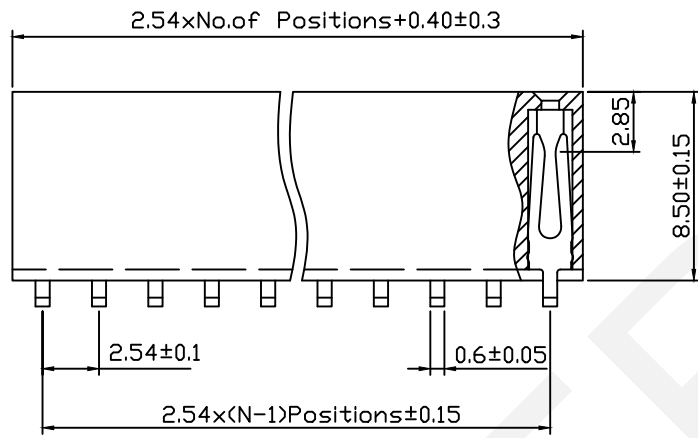
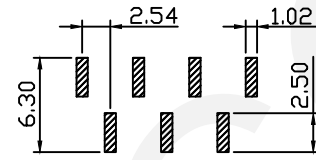
T2 Type



Recommended P.C.B Hole Layout



T1 Type



Dimension Antitheses List (mm)			
ITEM	L1	L2	Plastic Height
Standard	9.70	5.30	8.50
Nonstandard	---	---	---

Material:  
 Standard:PA6T  
 Contact:Brass  
 Contact Plating: Au Or Sn Over 50u" Ni  
 Nickel Insulator: Polyester, UL94V-0

Electrical Characteristics:  
 Rated Current: 3.0AMP  
 Contact Resistance: 20mΩ Max  
 Withstand Voltage: 1000V AC/DC  
 Insulator Resistance: 1000MΩ Min

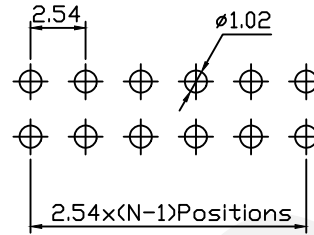
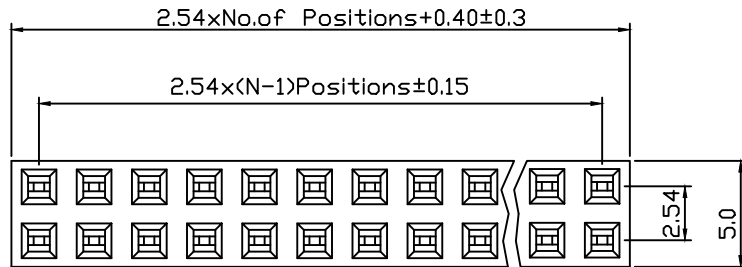
Mechanical  
 Operating Temperature: -40℃~+105℃  
 Max.Processing Temp: 230℃ For 30-60 Seconds (260℃ For 10 Seconds)

Order Information:  
 ERYAY08-1-XX-T1-L1xL2-N-B-R

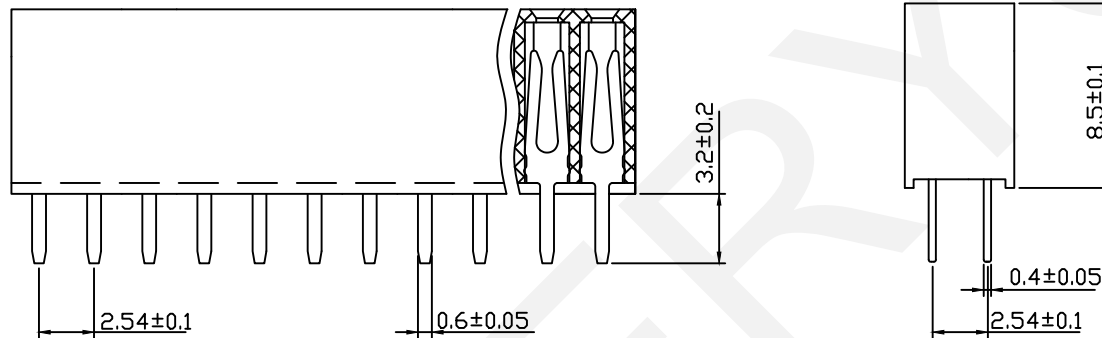
Pin Header Series  
 08:2.54mm  
 Per Row: Single Layer  
 Pin: No.of Pins (1x40)  
 SMT Pin: T1 Type T2 Type  
 Size: L1xL2  
 Post: W=With Post N=W/0 Post  
 Material: A=PBT B=PA6T C=LCP  
 Packing:  
 A=Tray T=Tube M=Reel+Mylar  
 P=Tube+Cap R=Reel+Cap

NINGBO ERYCO ELECTRONIC CO.,LTD	UNITS:mm	SHEET SIZE: A4		SCALE:---	DRWN BY PAN	2.54x8.5mm Female Header Single Layer,SMT Pin, 1xN Pin	
	0~3	3~18	18~50	50~120	CHK'D BY FENG	THIRD ANGLE PROJECTION 	ERYAY08-1-XX-T1-L1xL2-N-B-R
	±0.12	±0.15	±0.3	±0.5	APPR BY ZHAN		

RoHS Compliance



Recommended P.C.B Hole Layout



Material:  
 Standard: PBT/PA6T  
 Contact: Brass  
 Contact Plating: Gold Flash All Over  
 Nickel Insulator: Polyester, UL94V-0

Electrical Characteristics:  
 Rated Current: 3.0AMP  
 Contact Resistance: 20mΩ Max  
 Withstand Voltage: 1000V AC/DC  
 Insulator Resistance: 1000MΩ Min

Mechanical  
 Operating Temperature: -40°C~+105°C  
 Max. Processing Temp: 180°C For 30-60  
 Seconds (200°C For 10 Seconds)

Order Information:

ERYAY08-2-XX-S-B

Pin Header Series

08: 2.54mm

Per Row: Double Layer

Pin: No. of Pins (2x40)

Type: Straight Pin

Material:

A=PBT B=PA6T C=LCP

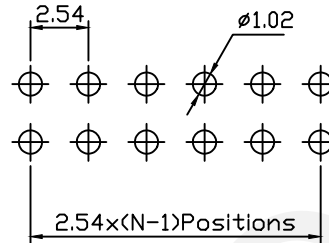
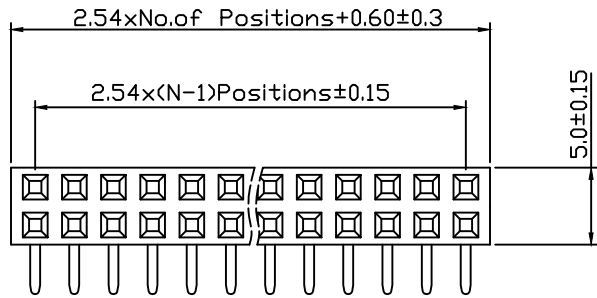
NINGBO ERYCO ELECTRONIC CO.,LTD

UNITS:mm	SHEET SIZE: A4				SCALE:---	DRWN BY PAN
0~3	3~18	18~50	50~120	CHK'D BY FENG	2.54x8.5mm Female Header Double Layer, Straight Pin, 2xN Pin	
±0.12	±0.15	±0.3	±0.5	APPR BY ZHAN	THIRD ANGLE PROJECTION	ERYAY08-2-XX-S-B

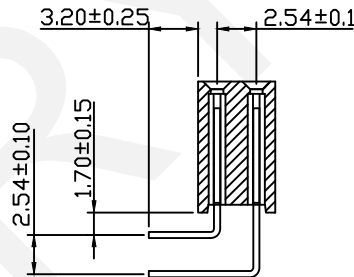
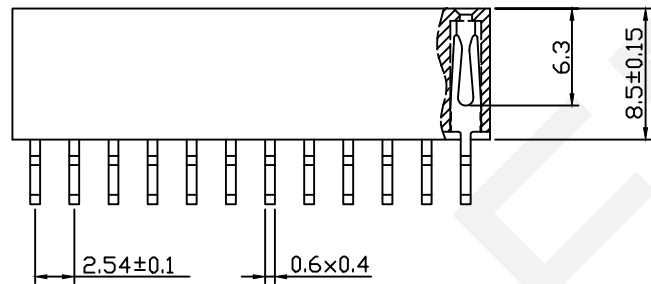


ERYAY08-2-XX-S-B

RoHS Compliance



Recommended P.C.B Hole Layout



Material:  
 Standard: PBT/PA6T  
 Contact: Brass  
 Contact Plating: Au or Sn Over Ni  
 Nickel Insulator: Polyester, UL94V-0

Electrical Characteristics:  
 Rated Current: 3.0AMP  
 Contact Resistance: 20mΩ Max  
 Withstand Voltage: 1000V AC/DC  
 Insulator Resistance: 1000MΩ Min

Mechanical  
 Operating Temperature: -40°C~+105°C  
 Max. Processing Temp: 180°C For 30-60  
 Seconds (200°C For 10 Seconds)

Order Information:

ERYAY08-2-XX-R-B

Pin Header Series

08: 2.54mm

Per Row: Double Layer

Pin: No. of Pins (2x40)

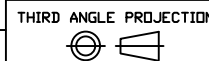
Type: Right Angle Pin

Material:

A=PBT B=PA6T C=LCP

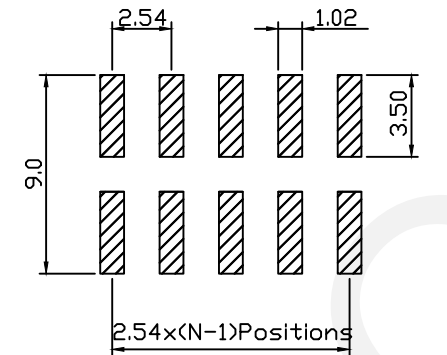
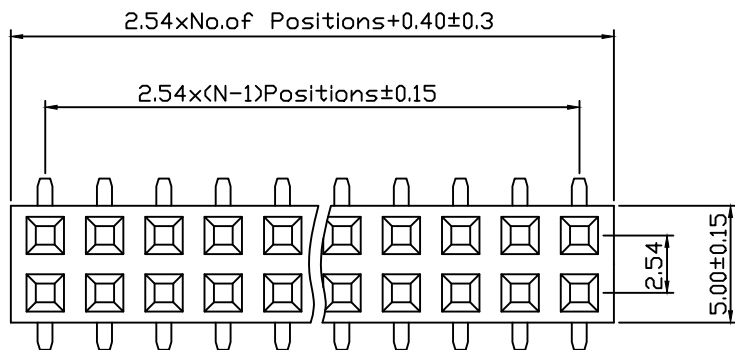
NINGBO ERYCO ELECTRONIC CO.,LTD

UNITS:mm	SHEET SIZE: A4				SCALE:---	DRWN BY PAN
0~3	3~18	18~50	50~120	CHK'D BY FENG	2.54x8.5mm Female Header Double Layer, Right Angle Pin, 2xN Pin	
±0.12	±0.15	±0.3	±0.5	APPR BY ZHAN	THIRD ANGLE PROJECTION	ERYAY08-2-XX-R-B

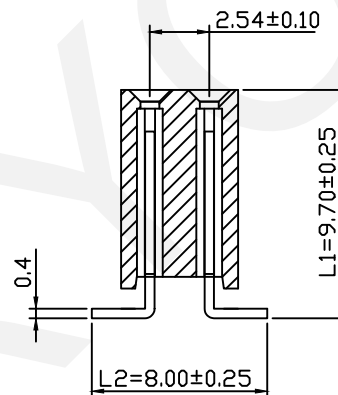
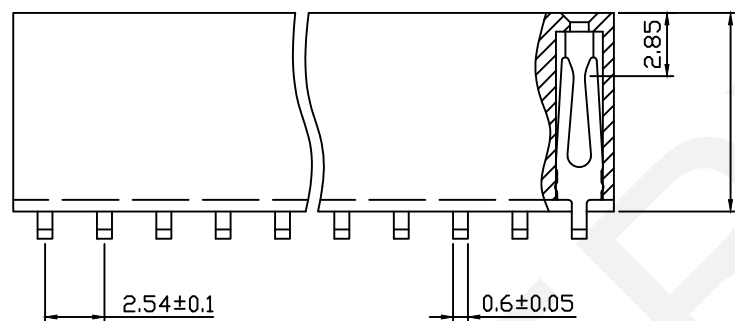


ERYAY08-2-XX-R-B

RoHS Compliance



Recommended P.C.B Hole Layout



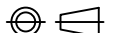
Dimension Antitheses List (mm)			
ITEM	L1	L2	Plastic Height
Standard	9.70	8.00	8.50
Nonstandard	---	---	---

Material:  
 Standard: PA6T  
 Contact: Brass  
 Contact Plating: Au Or Sn Over 50u" Ni  
 Nickel Insulator: Polyester, UL94V-0  
 Electrical Characteristics:  
 Rated Current: 3.0AMP  
 Contact Resistance: 20mΩ Max  
 Withstand Voltage: 1000V AC/DC  
 Insulator Resistance: 1000MΩ Min  
 Mechanical  
 Operating Temperature: -40°C ~ +105°C  
 Max. Processing Temp: 230°C For 30-60 Seconds (260°C For 10 Seconds)

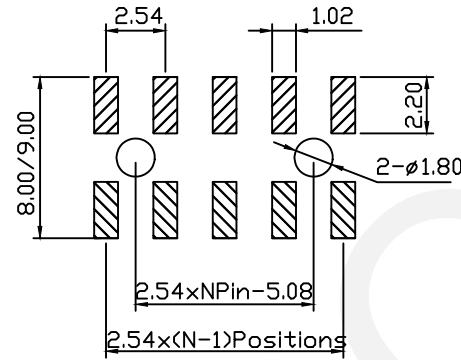
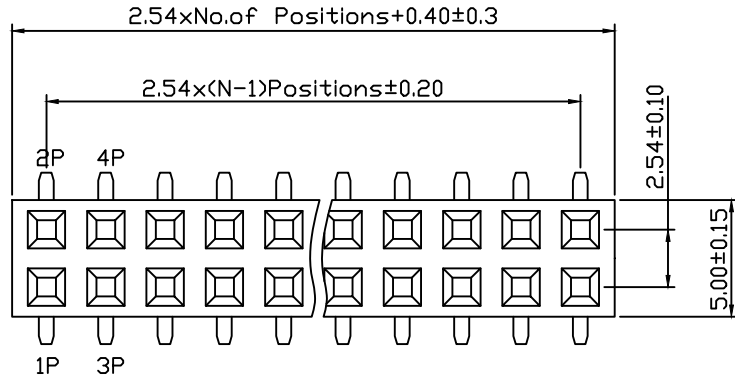
Order Information:  
**ERYAY08-2-XX-T-L1xL2-B-R**  
 Pin Header Series  
 08: 2.54mm  
 Per Row: Double Layer  
 Pin: No. of Pins (2x40)  
 SMT Pin:  
 T-Without Post, T3=With Post  
 Size: L1xL2  
 Material: A=PBT B=PA6T C=LCP  
 Packing:  
 A=Tray T=Tube M=Reel+Mylar  
 P=Tube+Cap R=Reel+Cap

NINGBO ERYCO ELECTRONIC CO.,LTD

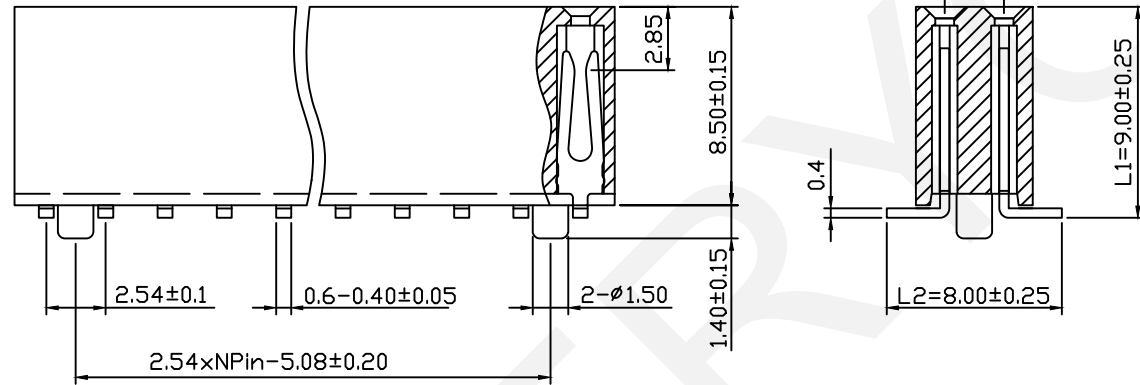
UNITS:mm	SHEET SIZE: A4		SCALE:---	DRWN BY PAN
0~3	3~18	18~50	50~120	CHK'D BY FENG
±0.12	±0.15	±0.3	±0.5	APPR BY ZHAN

2.54x8.5mm Female Header  
 Double Layer, SMT Pin, 2xN Pin  
 THIRD ANGLE PROJECTION  
  
 ERYAY08-2-XX-T-L1xL2-B-R

RoHS Compliance



Recommended P.C.B Hole Layout



Dimension Antitheses List (mm)			
ITEM	L1	L2	Plastic Height
Standard	9.00	8.00	8.50
Nonstandard	---	7.00	8.50

Material:

Standard: PA6T

Contact: Brass

Contact Plating: Au Or Sn Over Ni

Nickel Insulator: Polyester, UL94V-0

Electrical Characteristics:

Rated Current: 3.0AMP

Contact Resistance: 20mΩ Max

Withstand Voltage: 1000V AC/DC

Insulator Resistance: 1000MΩ Min

Mechanical

Operating Temperature: -40°C ~ +105°C

Max. Processing Temp: 260°C ± 5°C 5s

Order Information:

ERYAY08-2-XX-T3-L1xL2-B-R

Pin Header Series

08: 2.54mm

Per Row: Double Layer

Pin: No. of Pins (2x40)

SMT Pin:

T-Without Post, T3=With Post

Size: L1xL2

Material: A=PBT B=PA6T C=LCP

Packing:

A=Tray T=Tube M=Reel+Mylar

P=Tube+Cap R=Reel+Cap

NINGBO ERYCO ELECTRONIC CO.,LTD

UNITS: mm	SHEET SIZE: A4				SCALE: ---	DRWN BY PAN
0~3	3~18	18~50	50~120	CHK'D BY FENG		
±0.12	±0.15	±0.3	±0.5	APPR BY ZHAN		

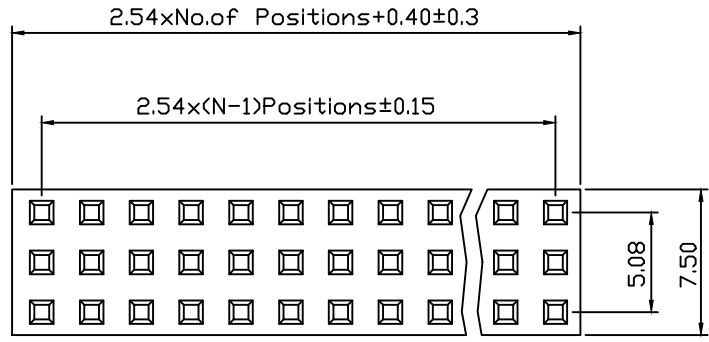
2.54x8.5mm Female Header  
Double Layer, SMT Pin, 2xN Pin

THIRD ANGLE PROJECTION

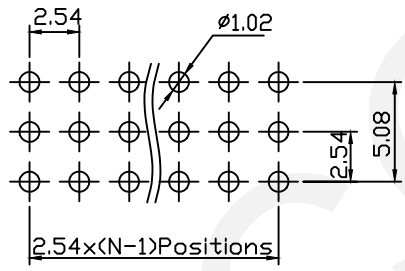


ERYAY08-2-XX-T3-L1xL2-B-R

RoHS Compliance



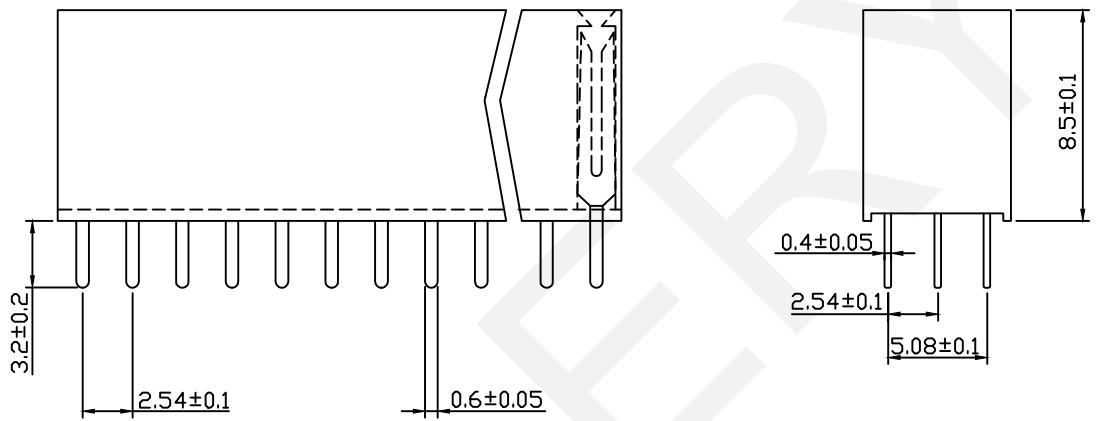
Recommended P.C.B Layout  
PCB TOLERANCE±0.05(Top Side)



Material:  
Standard:PBT/PA6T  
Contact: Brass  
Contact:Phosphor bronze  
Plating: 1u" Min Gold Plating Over All 30u"  
Min Nickel Underplating Over All  
Insulator:Polyester,UL94V-0

Electrical Characteristics:  
Rated Current: 3.0AMP  
Contact Resistance: 20mΩ Max  
Withstand Voltage: 1000V AC/DC  
Insulator Resistance: 1000MΩ Min

Mechanical  
Operating Temperature:-40℃~+105℃



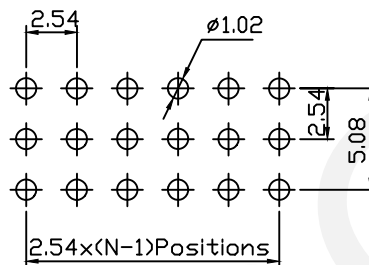
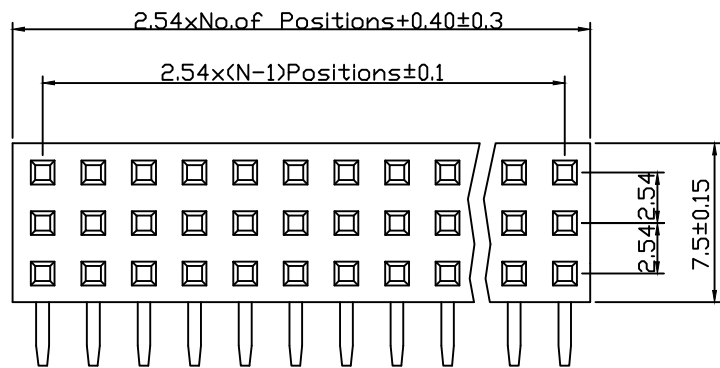
Order Information:  
ERYAY08-3-XX-S-A  
Pin Header Series  
08:2.54mm  
Per Row:Three Layer  
Pin: No.of Pins (3x40)  
Type:Straight Pin  
Material:  
A=PBT B=PA6T C=LCP

NINGBO ERYCO ELECTRONIC CO.,LTD

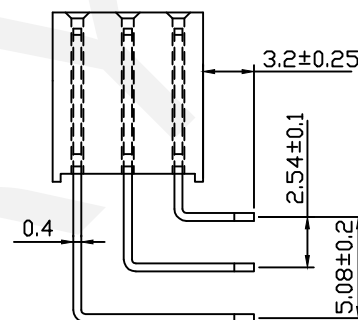
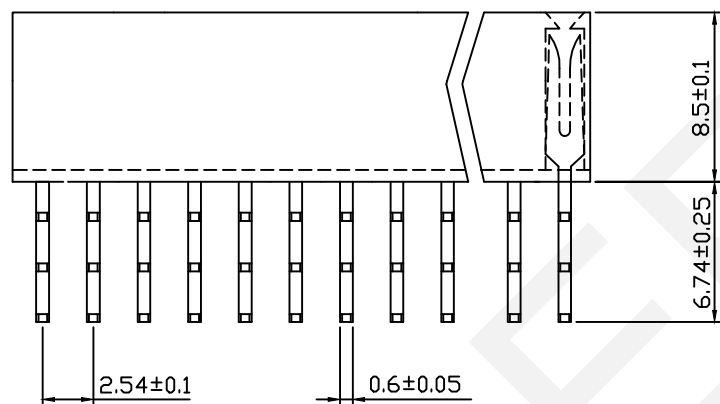
UNITS:mm	SHEET SIZE: A4		SCALE:---	DRWN BY PAN
0~3	3~18	18~50	50~120	CHK'D BY FENG
±0.12	±0.15	±0.3	±0.5	APPR BY ZHAN

2.54x8.5mm Female Header  
Three Layer,Straight Pin,3xN Pin  
THIRD ANGLE PROJECTION  
ERYAY08-3-XX-S-A

RoHS Compliance



Recommended P.C.B Layout  
PCB TOLERANCE±0.05(Top Side)



Material:

Standard:PBT/PA6T

Contact:Brass

Plating: Au or Sn Over 50u" Ni

Insulator: Polyester, UL94V-0

Electrical Characteristics:

Rated Current: 3.0AMP

Contact Resistance: 20mΩ Max

Withstand Voltage: 1000V AC/DC

Insulator Resistance: 1000MΩ Min

Mechanical

Operating Temperature: -40℃~+105℃

Max.Processing Temp: 180℃ For 30-60

Seconds (200℃ For 10 Seconds)

Order Information:

ERYAY08-3-XX-R-A

Pin Header Series

08:2.54mm

Per Row: Three Layer

Pin: No.of Pins (3x40)

Type: Right Angle Pin

Material:

A=PBT B=PA6T C=LCP

NINGBO ERYCO ELECTRONIC CO.,LTD

UNITS:mm

SHEET SIZE: A4

SCALE: ---

DRWN BY PAN

2.54x8.5mm Female Header  
Three Layer, Right Angle Pin, 3xN Pin

0~3

3~18

18~50

50~120

CHK'D BY FENG

THIRD ANGLE PROJECTION

±0.12

±0.15

±0.3

±0.5

APPR BY ZHAN



ERYAY08-3-XX-R-A