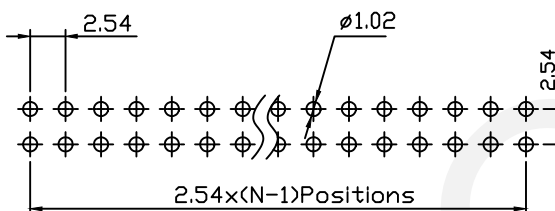
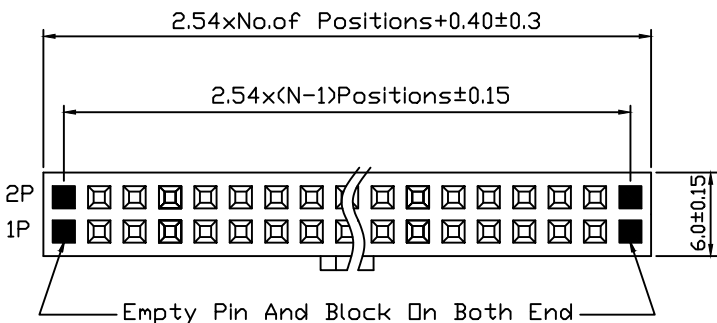


RoHS Compliance

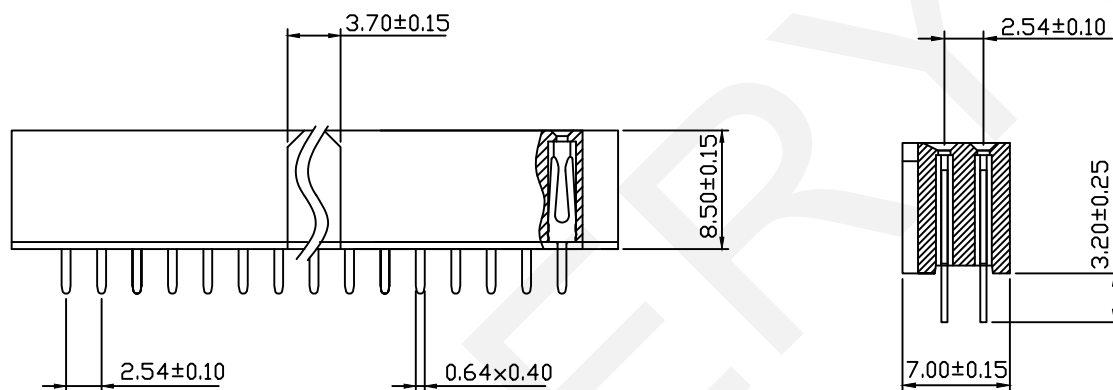


Material:
Standard:PBT/PA6T
Contact: Brass,Au Or Sn Over Ni
Insulator:Polyester,UL94V-0

Electrical Characteristics:
Rated Current: 3.0AMP
Contact Resistance: 20mΩ Max
Withstand Voltage: 1000V AC/DC
Insulator Resistance: 1000MΩ Min

Mechanical
Operating Temperature:-40℃~+105℃
Max.Processing Temp:230℃ For 30-60
Seconds (260℃ For 10 Seconds)

Recommended P.C.B Layout(Top Side)
(PCB BOARD TOLERANCE±0.05)



Order Information:

ERYAY19X-2-XX-S-B

Pin Header Series

19X:2.54mm

Per Row:Double Layer

Pin: No. of Pins (02~80)

Type: Straight Pin

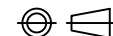
Material:A=PBT B=PA6T C=LCP

NINGBO ERYCO ELECTRONIC CO.,LTD

UNITS:mm	SHEET SIZE: A4			SCALE:---	DRWN BY PAN
0~3	3~18	18~50	50~120	CHK'D BY FENG	
±0.12	±0.15	±0.3	±0.5	APPR BY ZHAN	

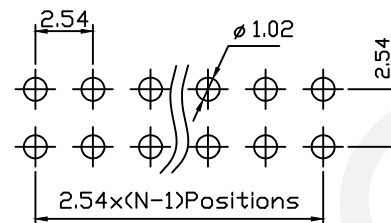
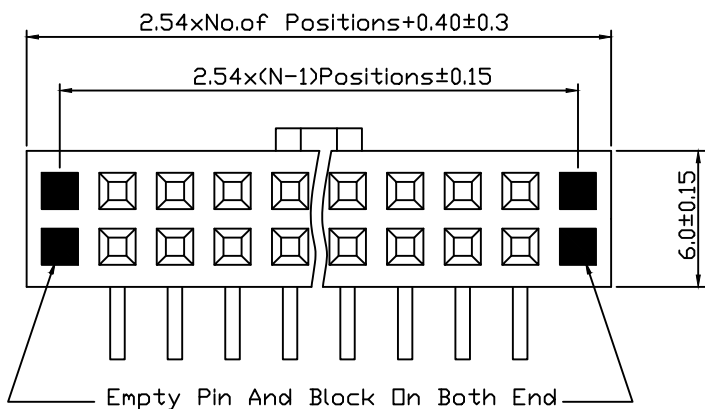
2.54x8.5mm Female Header
Double Layer, Straight Pin, 2xN Pin

THIRD ANGLE PROJECTION

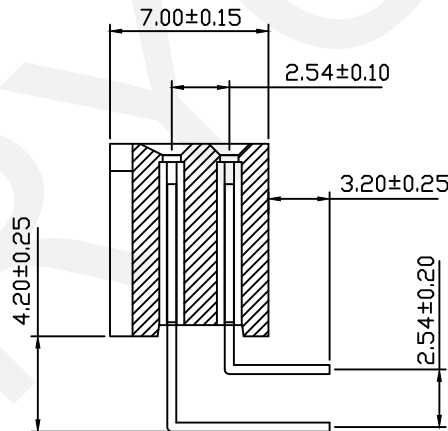
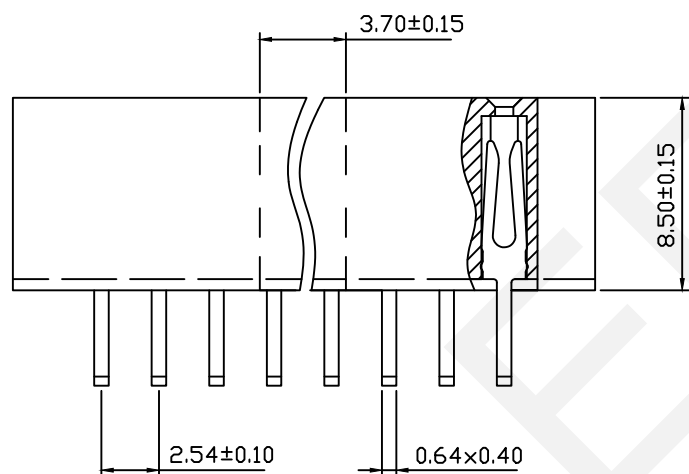


ERYAY19X-2-XX-S-B

RoHS Compliance



Recommended P.C.B Layout (Top Side)
(PCB BOARD TOLERANCE ±0.05)



Material:
Standard: PBT/PA6T
Contact: Brass, Au Or Sn 50N^o Ni
Insulator: Polyester, UL94V-0

Electrical Characteristics:
Rated Current: 3.0AMP
Contact Resistance: 20mΩ Max
Withstand Voltage: 1000V AC/DC
Insulator Resistance: 1000MΩ Min

Mechanical
Operating Temperature: -40°C ~ +105°C
Max. Processing Temp: 180°C For 30-60 Seconds (200°C For 10 Seconds)

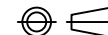
Order Information:
ERYAY19X-2-XX-R-A
Pin Header Series
19X: 2.54mm
Per Row: Double Layer
Pin: No. of Pins (02~80)
Type: Right Angle Pin
Material: A=PBT B=PA6T C=LCP

NINGBO ERYCO ELECTRONIC CO.,LTD

UNITS:mm	SHEET SIZE: A4	SCALE:---	DRWN BY PAN
0~3	3~18	18~50	50~120
±0.12	±0.15	±0.3	±0.5
			CHK'D BY FENG
			APPR BY ZHAN

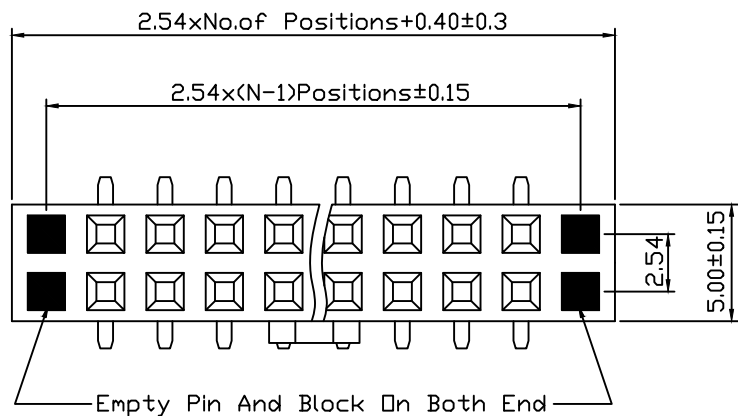
2.54x8.5mm Female Header
Double Layer, Right Angle Pin, 2xN Pin

THIRD ANGLE PROJECTION

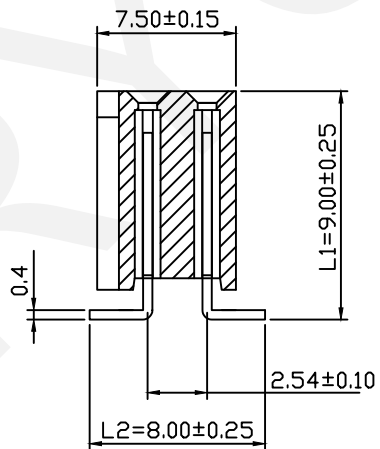
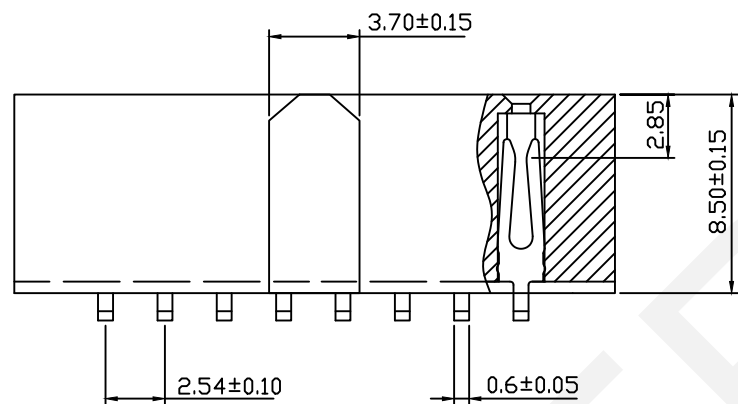
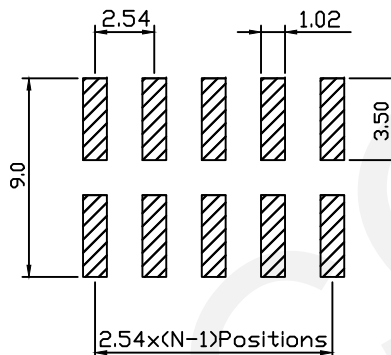


ERYAY19X-2-XX-R-A

RoHS Compliance



Recommended P.C.B Hole Layout



Dimension Antitheses List (mm)

ITEM	L1	L2	Plastic Height
Standard	9.00	8.00	8.50
Nonstandard	---	---	---

Material: PA6T
 Standard: PA6T
 Contact: Brass
 Plating: Au Or Sn Over 50N^o Ni
 Insulator: Polyester, UL94V-0
 Electrical Characteristics:
 Rated Current: 3.0AMP
 Contact Resistance: 20mΩ Max
 Withstand Voltage: 500V AC/DC
 Insulator Resistance: 1000MΩ Min
 Mechanical
 Operating Temperature: -40℃~+105℃
 Max. Processing Temp: 230℃ For 30-60 Seconds (260℃ For 10 Seconds)

Order Information:
 ERYAY19X-2-XX-T-L1xL2-B-R

Female Header Series
 19X: 2.54mm
 Per Row: Double Layer
 Pin: No. of Pins (02~80)
 SMT Pin:
 T=Without Post T3=With Post
 Size: L1xL2
 Material: A=PBT B=PA6T C=LCP
 Packing:
 A=Tray T=Tube M=Reel+Mylar
 P=Tube+Cap R=Reel+Cap

NINGBO ERYCO ELECTRONIC CO.,LTD

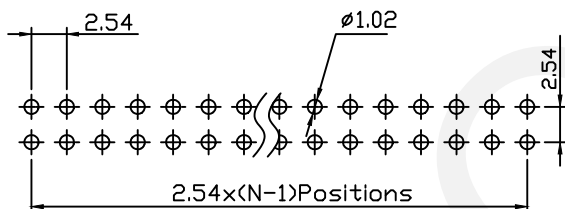
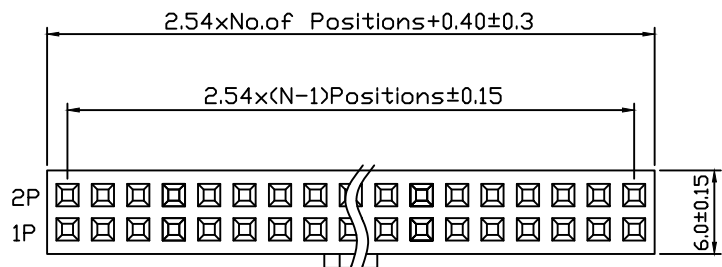
UNITS:mm	SHEET SIZE: A4			SCALE:---	DRWN BY PAN
0~3	3~18	18~50	50~120	CHK'D BY FENG	
±0.12	±0.15	±0.3	±0.5	APPR BY ZHAN	

THIRD ANGLE PROJECTION

2.54x8.5mm Female Header
 Double Layer, SMT Pin, 2xN Pin

ERYAY19X-2-XX-T-L1xL2-B-R

RoHS Compliance



Recommended P.C.B Layout (Top Side)
(PCB BOARD TOLERANCE±0.05)

Material:
Standard:PBT/PA6T
Contact: Brass,Au Or Sn Over Ni
Insulator:Polyester,UL94V-0

Electrical Characteristics:
Rated Current: 3.0AMP
Contact Resistance: 20mΩ Max
Withstand Voltage: 1000V AC/DC
Insulator Resistance: 1000MΩ Min

Mechanical
Operating Temperature:-40℃~+105℃
Max.Processing Temp:230℃ For 30-60
Seconds (260℃ For 10 Seconds)

Order Information:

ERYAY19Y-2-XX-S-B

Pin Header Series

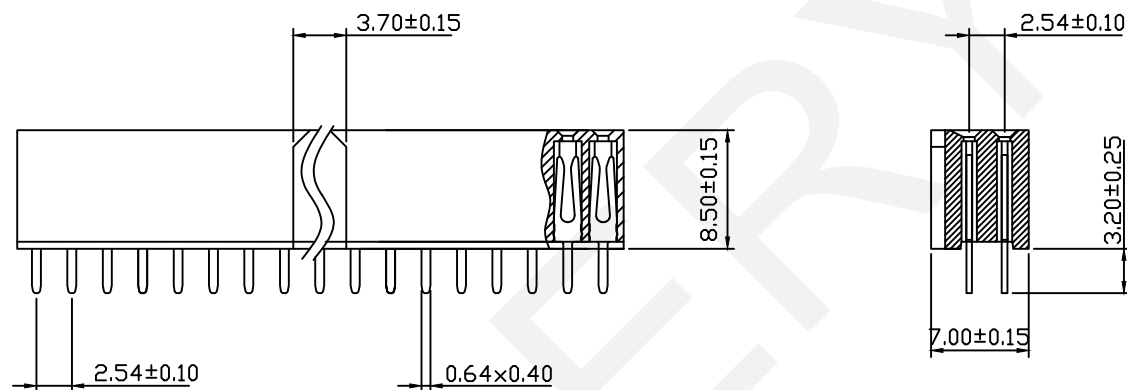
19Y:2.54mm

Per Row:Double Layer

Pin: No. of Pins (2x40)

Type: Straight Pin

Material:A=PBT B=PA6T C=LCP

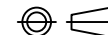


NINGBO ERYCO ELECTRONIC CO.,LTD

UNITS:mm	SHEET SIZE: A4			SCALE:---	DRWN BY PAN
0~3	3~18	18~50	50~120	CHK'D BY FENG	
±0.12	±0.15	±0.3	±0.5	APPR BY ZHAN	

2.54x8.5mm Female Header
Double Layer, Straight Pin, 2xN Pin

THIRD ANGLE PROJECTION



ERYAY19Y-2-XX-S-B

RoHS Compliance

Material:

Standard:PBT/PA6T

Contact: Brass,Au Or Sn 50N^o Ni

Insulator:Polyester,UL94V-0

Electrical Characteristics:

Rated Current: 3.0AMP

Contact Resistance: 20mΩ Max

Withstand Voltage: 1000V AC/DC

Insulator Resistance: 1000MΩ Min

Mechanical

Operating Temperature:-40℃~+105℃

Max.Processing Temp:180℃ For 30-60

Seconds (200℃ For 10 Seconds)

Order Information:

ERYAY19Y-2-XX-R-A

Pin Header Series

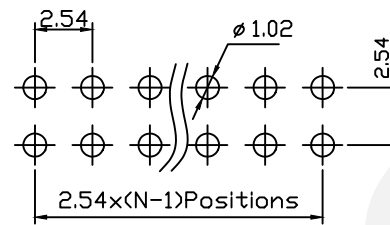
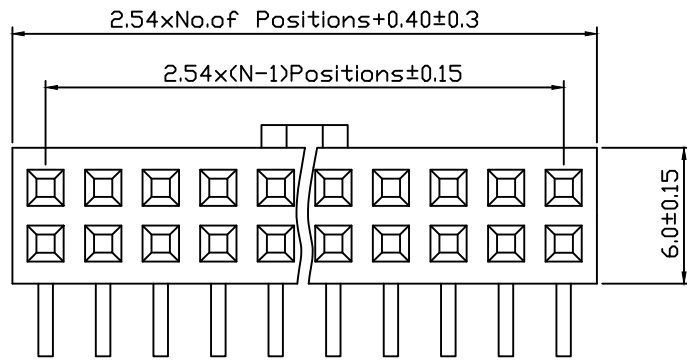
19Y:2.54mm

Per Row:Double Layer

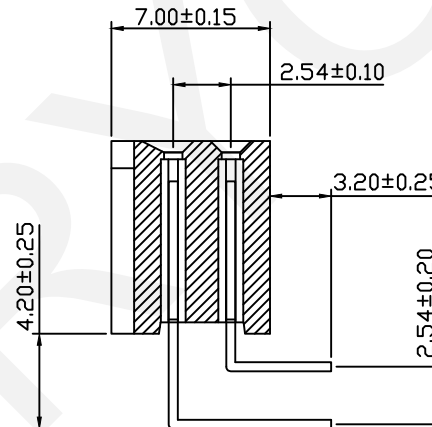
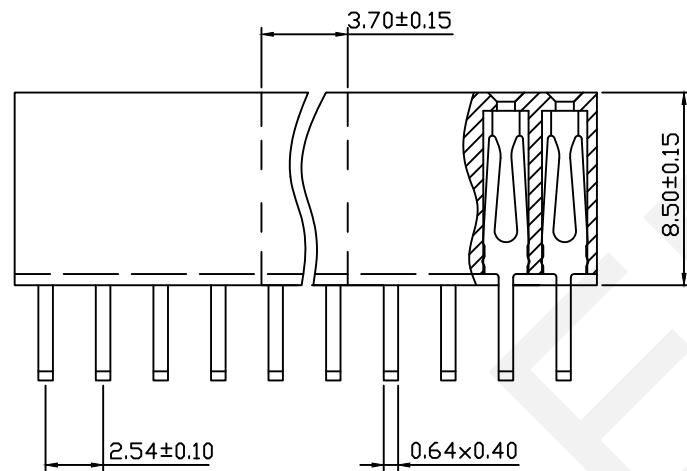
Pin: No. of Pins (02~80)

Type:Right Angle Pin

Material:A=PBT B=PA6T C=LCP



Recommended P.C.B Layout(Top Side)
(PCB BOARD TOLERANCE±0.05)

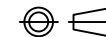


NINGBO ERYCO ELECTRONIC CO.,LTD

UNITS:mm	SHEET SIZE: A4				SCALE:---	DRWN BY PAN
0~3	3~18	18~50	50~120	CHK'D BY FENG		
±0.12	±0.15	±0.3	±0.5	APPR BY ZHAN		

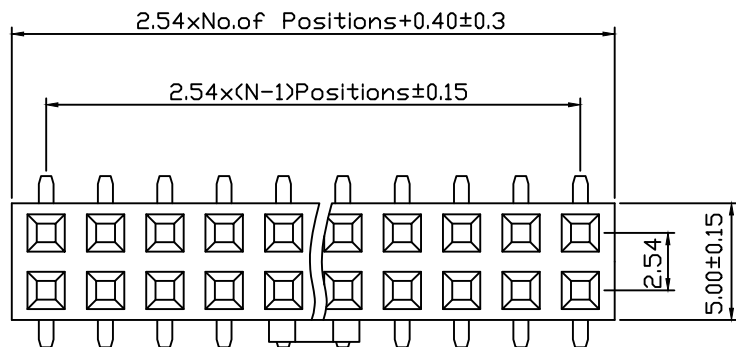
2.54x8.5mm Female Header
Double Layer,Right Angle Pin, 2xN Pin

THIRD ANGLE PROJECTION

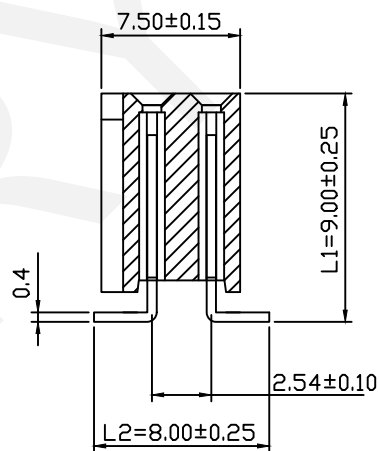
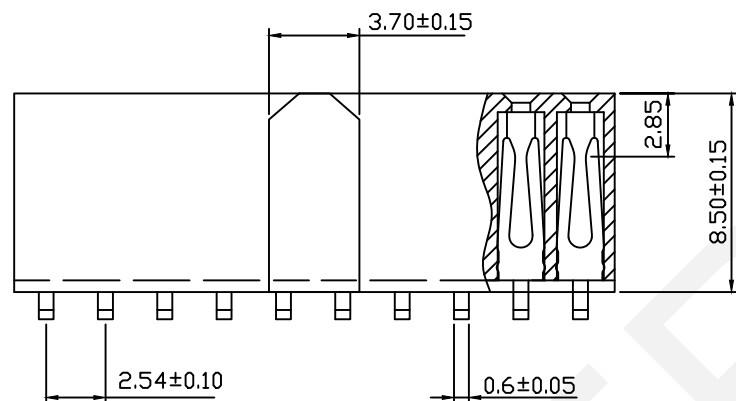
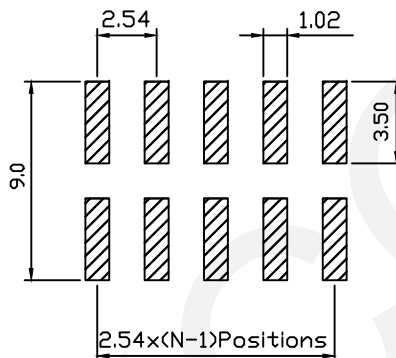


ERYAY19Y-2-XX-R-A

RoHS Compliance



Recommended P.C.B Hole Layout



Dimension Antitheses List (mm)

ITEM	L1	L2	Plastic Height
Standard	9.00	8.00	8.50
Nonstandard	---	---	---

Material:
 Standard:PA6T
 Contact:Brass
 Plating:Au Or Sn Over 50N^o Ni
 Insulator:Polyester,UL94V-0
 Electrical Characteristics:
 Rated Current: 3.0AMP
 Contact Resistance: 20mΩ Max
 Withstand Voltage: 500V AC/DC
 Insulator Resistance: 1000MΩ Min
 Mechanical
 Operating Temperature:-40℃~+105℃
 Max.Processing Temp:230℃ For 30-60
 Seconds (260℃ For 10 Seconds)

Order Information:
 ERYAY19Y-2-XX-T-L1xL2-B-R

Female Header Series
 19Y:2.54mm
 Per Row:Double Layer
 Pin: No.of Pins (02~80)
 SMT Pin:
 T=Without Post T3=With Post
 Size:L1xL2
 Material:A=PBT B=PA6T C=LCP
 Packing:
 A=Tray T=Tube M=Reel+Mylar
 P=Tube+Cap R=Reel+Cap

NINGBO ERYCO ELECTRONIC CO.,LTD

UNITS:mm	SHEET SIZE: A4			SCALE:---	DRWN BY PAN
0~3	3~18	18~50	50~120	CHK'D BY FENG	
±0.12	±0.15	±0.3	±0.5	APPR BY ZHAN	

THIRD ANGLE PROJECTION

2.54x8.5mm Female Header
 Double Layer,SMT Pin, 2xN Pin

ERYAY19Y-2-XX-T-L1xL2-B-R