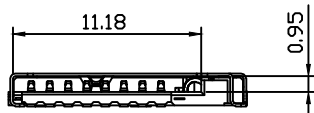
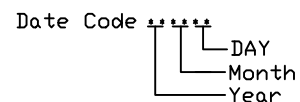
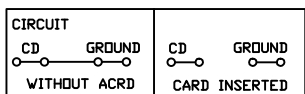


Recommended PCB Layout  
Tolerance:±0.05mm



Switch Insert Card State



**Notes:**

**1.Material:**

Housing:High Tempertgure Thermoplastic UL94V-0; Color Black.  
Terminal:Copper Alloy  
Shell:Stainless Steel

**2.PLATING:**

Contact:Contact Area:Au G/F  
Solder Area Matte Tin 80u\*Min.  
Under Plate Ni 40u\*Min All Over  
Shell: Solder Area:Au G/F,Under Plate Ni 50u\*Min All Over  
CD PIN: Contact Area:Au G/F,Under Plate Ni 50u\*Min All Over

**3.Electric:**

Rated Current:1.0A Rated Voltage:30V  
Contact Resistance:50mΩ Max  
Insulation Resistance:1000MΩ Min 500V DC  
Dielectric Withstanding Voltage: 500V AC  
Solder Ability:255±5°C,5±0.5s  
Durability:10000 Cycles Min.  
Operating Condition:Temperature-40°C~+85°C Humldity 80% R.H Max

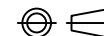
PIN NO.		MICRO SD
PIN 1	DAT2	1P
PIN 2	CD/DAT3	2P
PIN 3	CMD	3P
PIN 4	VDD	4P
PIN 5	CLK	5P
PIN 6	VSS	6P
PIN 7	DAT0	7P
PIN 8	DAT1	8P
PIN 9	CARD DETECT	
PIN 10		

NINGBO ERYCO ELECTRONIC CO.,LTD

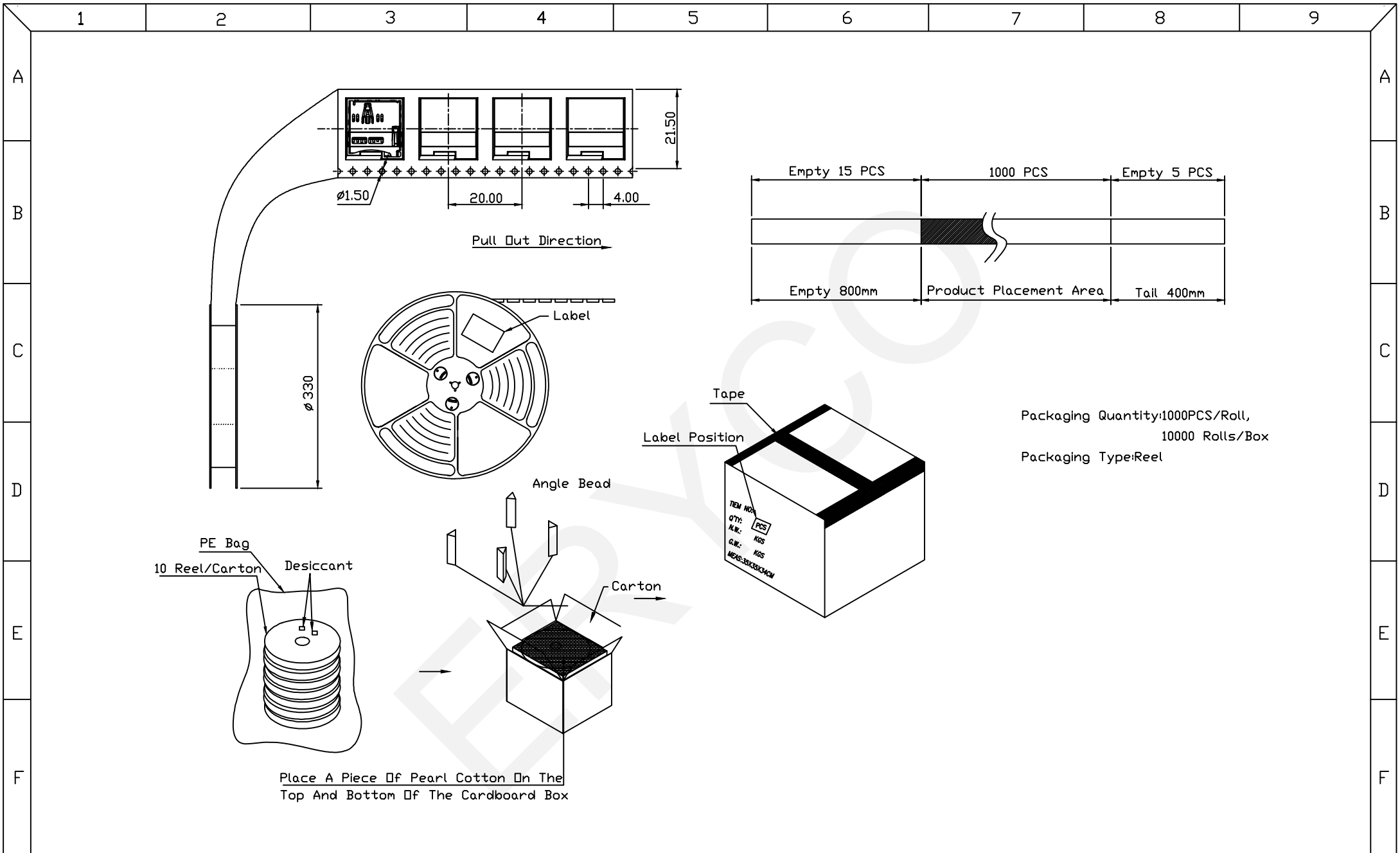
UNITS:mm	SHEET SIZE: A4	SCALE:---	DRWN BY PAN
0~3	3~18	18~50	50~120
±0.12	±0.15	±0.3	±0.5
CHK'D BY FENG		APPR BY ZHAN	

Card Connector Push Push,  
H1.85mm,Normally Closed

THIRD ANGLE PROJECTION

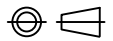


ERYAY20F-001



Packaging Quantity: 1000PCS/Roll,  
10000 Rolls/Box  
Packaging Type: Reel

Place A Piece Of Pearl Cotton On The  
Top And Bottom Of The Cardboard Box

G	NINGBO ERYCO ELECTRONIC CO.,LTD			UNITS:mm	SHEET SIZE: A4	SCALE:---	DRWN BY PAN	Card Connector Push Push, H1.85mm, Normally Closed		G	
					0~3	3~18	18~50	50~120	CHK'D BY FENG		THIRD ANGLE PROJECTION
					±0.12	±0.15	±0.3	±0.5	APPR BY ZHAN		 ERYAY20F-001
1	2	3	4	5	6	7	8	9			