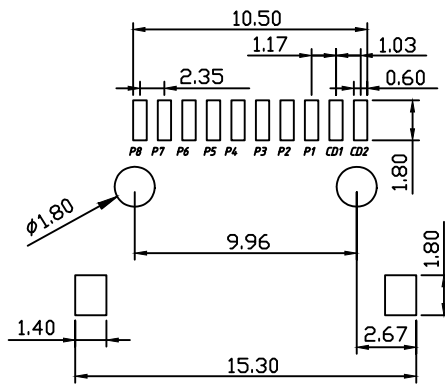
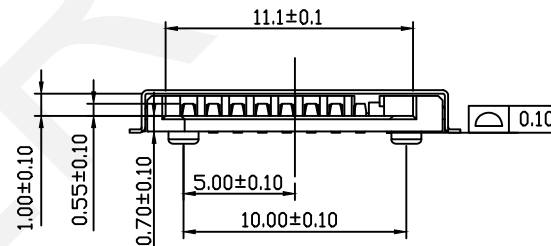


PIN NO.	PIN ASSIGNMENTS
1#	DAT2
2#	CD/DAT3
3#	CMD
4#	VDD
5#	CLK
6#	VSS
7#	DAT0
8#	DAT1



RECOMMENDED PCB LAYOUT  
TOLERANCE:±0.05



Material:  
Housing:LCP,UL94V-0,Black  
Terminal:Copper Alloy,Selective Gold On Mating Area.  
Shell:Iron  
Electrical:  
Voltage Rating:5V  
Current Rating:0.5 A Max.  
Contact Resistance: 100mΩ Max.  
Insulation Resistance:1000MΩ Min.  
Withstanding Voltage:500V 1 Minute.  
Operating Temp:-25°C TO +60°C  
Peak temperature:260°C  
Durability:10000 Cycles

NINGBO ERYCO ELECTRONIC CO.,LTD

UNITS:mm	SHEET SIZE: A4			SCALE:---	DRWN BY PAN
0~3	3~18	18~50	50~120	CHK'D BY FENG	
±0.12	±0.15	±0.3	±0.5	APPR BY ZHAN	

Micro SD Card CONN;PUSH/ PUSH,H1.4mm,SMD With CD Pin	
THIRD ANGLE PROJECTION 	ERYAYF-014