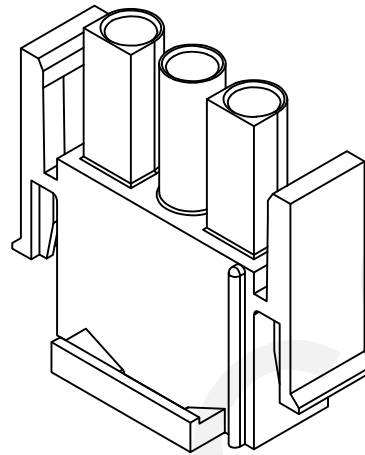
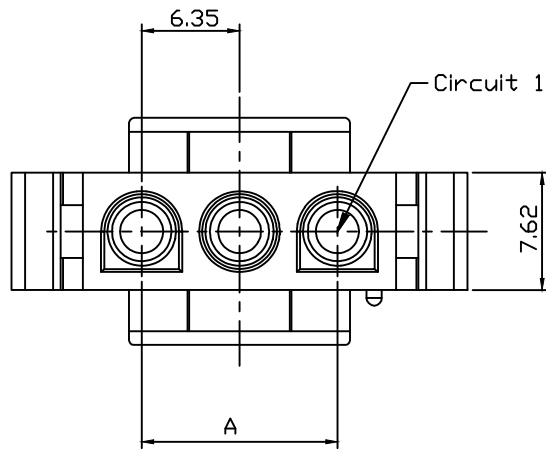


RoHS Compliance



Material:

Housing: PA66,UL94V-0/UL94V-2

Electrical Characteristics:

Rated Current: 15.0AMP

Voltage Rating: 600V AC,DC

Temperature Range: -25°C~+85°C

Insulator Resistance: 1000MΩ/Min.

Withstand Voltage: 5000V AC/DC

Contact Resistance: 3.5MΩ/Max

Order Information:

ERYAYL1-6.35-1xXX-FH

Pitch:6.35mm

Row:1-Single Layer

2-Double Layer

3-Three Layer

XX-No.of 02~08 Pins

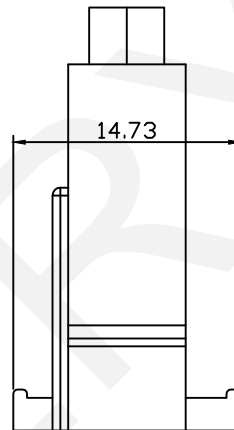
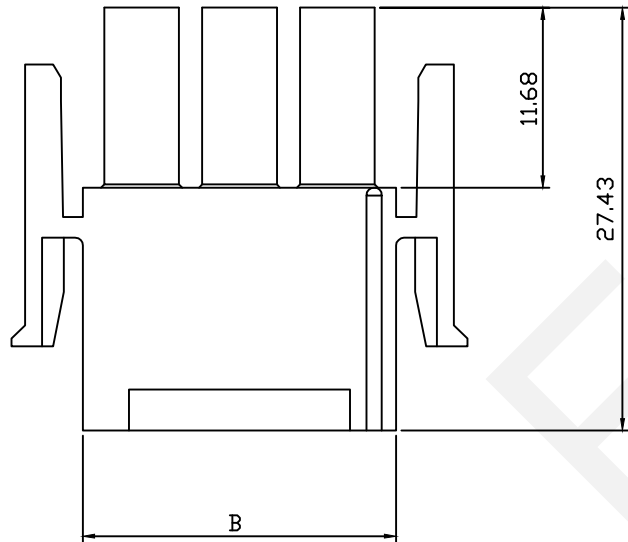
Type:

FH-Female Hosing MH-Male Hosing

FT-Female Terminal MT-Male Terminal

S/SW-Straight Male Pin

R-Right Angle Male Pin



Pin	Dimensions(mm)	
	A	B
02	6.35	13.97
03	12.70	20.32
04	19.05	26.67
05	25.40	33.02
06	31.75	39.37
08	44.45	52.07

NINGBO ERYCO ELECTRONIC CO.,LTD

UNITS:mm

SHEET SIZE: A4

SCALE:---

DRWN BY PAN

6.35mm Pitch 42021 42022 43255

Wire To Board Connector

0~3

3~18

18~50

50~120

CHK'D BY FENG

THIRD ANGLE PROJECTION

ERYAYL1-6.35-1xXX-FH

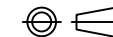
±0.12

±0.15

±0.3

±0.5

APPR BY ZHAN



1

2

3

4

5

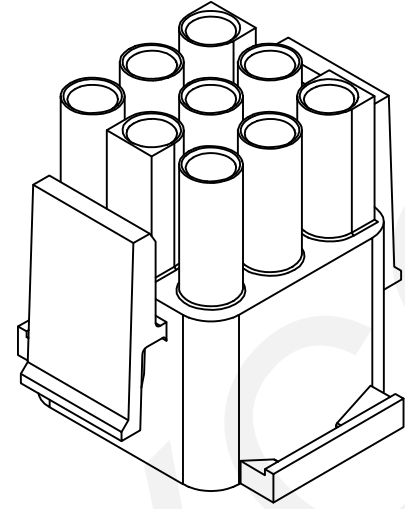
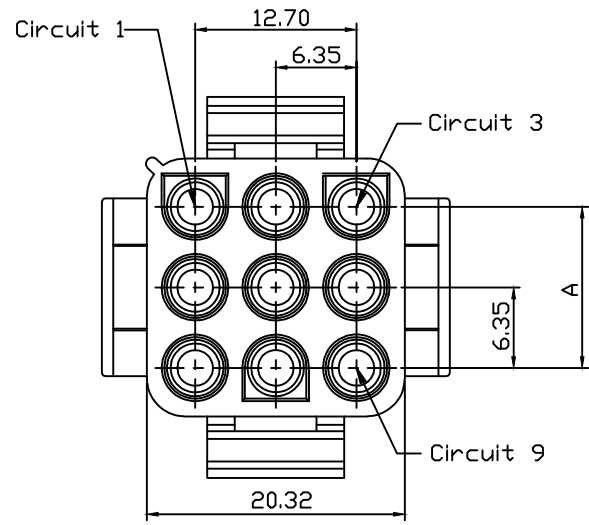
6

7

8

9

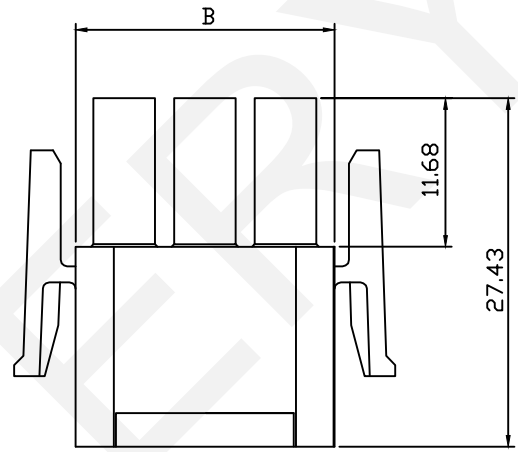
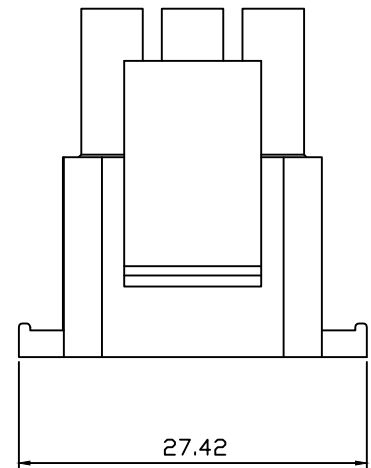
RoHS Compliance



Material:
Housing: PA66,UL94V-0/UL94V-2

Electrical Characteristics:
Rated Current: 15.0AMP
Voltage Rating: 600V AC,DC
Temperature Range: -25°C~+85°C
Insulator Resistance: 1000MΩ/Min.
Withstand Voltage: 5000V AC/DC
Contact Resistance: 3.5MΩ/Max

Order Information:
ERYAYL1-6.35-3xXX-FH

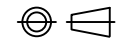


Pin	Dimensions(mm)	
	A	B
02	6.35	13.97
03	12.70	20.32
04	19.05	26.67
05	25.40	33.02

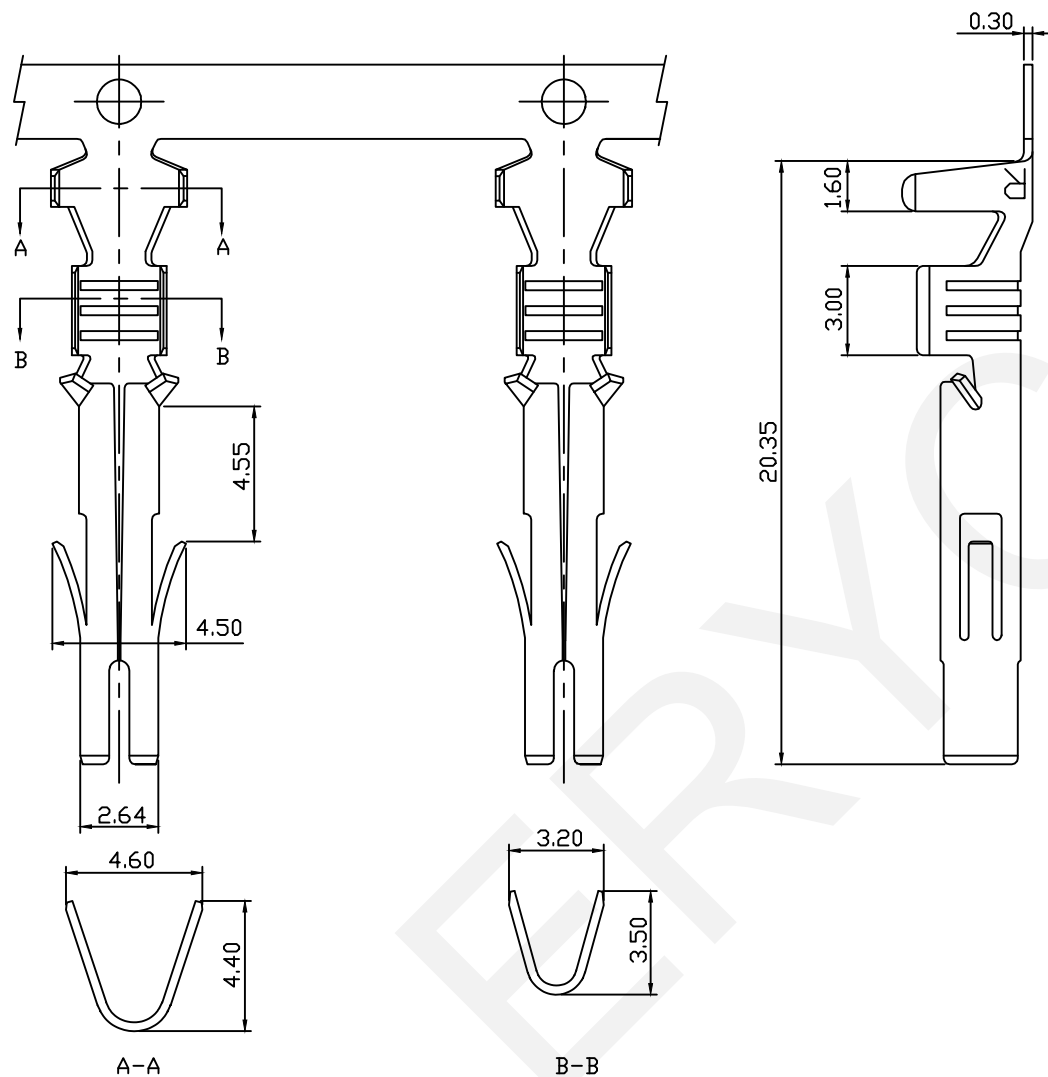
Pitch:6.35mm
Row:1-Single Layer
2-Double Layer
3-Three Layer
XX-No.of 02~05 Pins
Type: _____
FH-Female Hosing MH-Male Hosing
FT-Female Terminal MT-Male Terminal
S/SW-Straight Male Pin
R-Right Angle Male Pin

NINGBO ERYCO ELECTRONIC CO.,LTD

UNITS:mm	SHEET SIZE: A4			SCALE:---	DRWN BY PAN
0~3	3~18	18~50	50~120	CHK'D BY FENG	
±0.12	±0.15	±0.3	±0.5	APPR BY ZHAN	

6.35mm Pitch 42021 42022 43255
Wire To Board Connector
THIRD ANGLE PROJECTION

ERYAYL1-6.35-3xXX-FH

RoHS Compliance



Material:
 Terminal: Brass
 Plating: Tin plated .
 Applicable Wires: AWG #14~#20
 Insulation O.D.: 3.30mm Max
 Qty/Reel: 4000 PCS

Electrical Characteristics:
 Rated Current : 15.0AMP
 Voltage Rating : 600V AC,DC
 Temperature Range: -25°C~+85°C
 Insulator Resistance: 1000MΩ/Min.
 Withstanding Voltage: 5000V AC/Minute
 Contact Resistance: 3.5MΩ/Max

Order Information:
 ERYAYL1-6.35-FT

Pitch: 6.35mm
 Type: _____

FH-Female Hosing MH-Male Hosing
 FT-Female Terminal MT-Male Terminal
 S/SW-Straight Male Pin
 R-Right Angle Male Pin

NINGBO ERYCO ELECTRONIC CO.,LTD

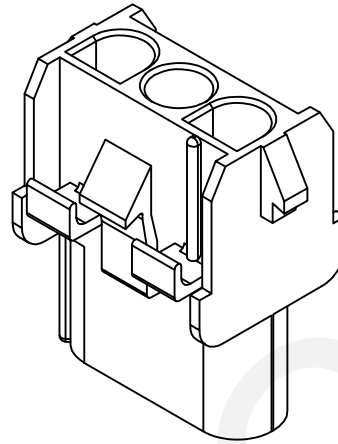
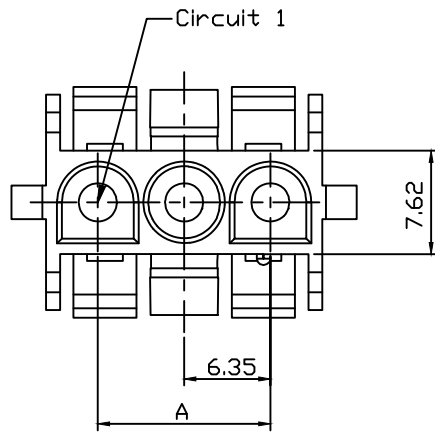
UNITS:mm	SHEET SIZE: A4			SCALE:---	DRWN BY PAN
0~3	3~18	18~50	50~120	CHK'D BY FENG	
±0.12	±0.15	±0.3	±0.5	APPR BY ZHAN	

6.35mm Pitch 42021 42022 43255
 Wire To Board Connector

THIRD ANGLE PROJECTION

ERYAYL1-6.35-FT

RoHS Compliance



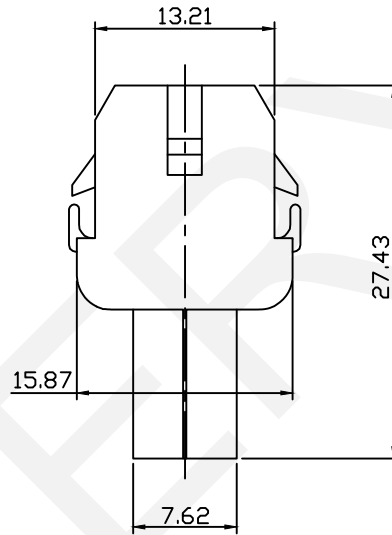
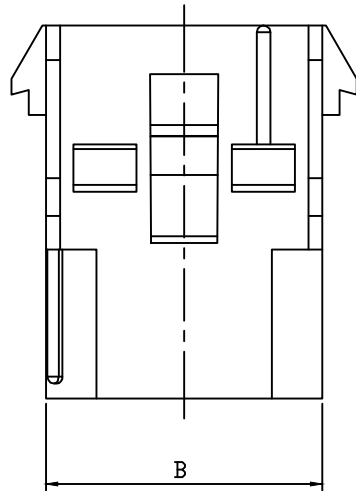
Material:
Housing: PA66,UL94V-0/UL94V-2

Electrical Characteristics:
Rated Current: 15.0AMP
Voltage Rating: 600V AC,DC
Temperature Range: -25°C~+85°C
Insulator Resistance: 1000MΩ/Min.
Withstand Voltage: 5000V AC/DC
Contact Resistance: 3.5MΩ/Max

Order Information:
ERYAYL1-6.35-1xXX-MH

Pitch:6.35mm
Row:1-Single Layer
2-Double Layer
3-Three Layer
XX-No.of 02~08 Pins

Type: _____
FH-Female Hosing MH-Male Hosing
FT-Female Terminal MT-Male Terminal
S/SW-Straight Male Pin
R-Right Angle Male Pin



Pin	Dimensions(mm)	
	A	B
02	6.35	13.97
03	12.70	20.32
04	19.05	26.67
05	25.40	33.02
06	31.75	39.37
08	44.45	52.07

NINGBO ERYCO ELECTRONIC CO.,LTD

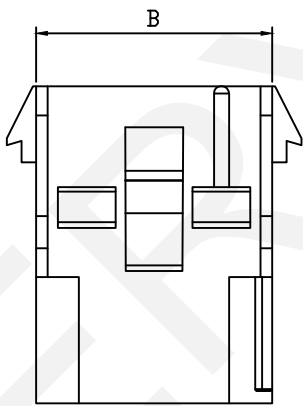
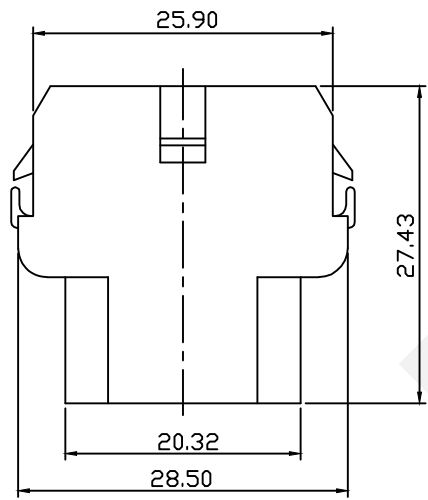
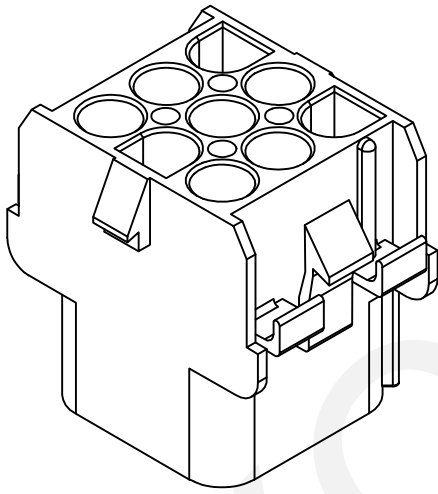
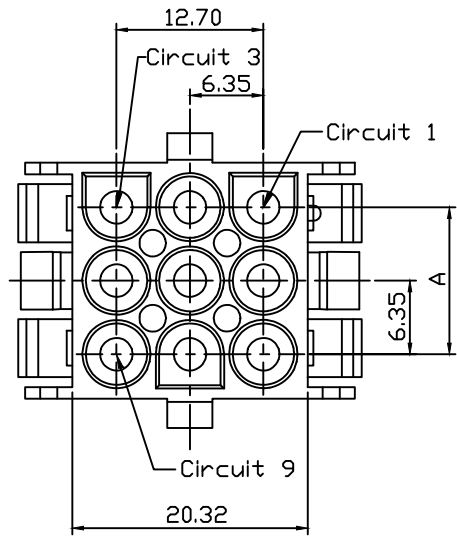
UNITS:mm	SHEET SIZE: A4	SCALE:---	DRWN BY PAN
0~3	3~18	18~50	50~120
±0.12	±0.15	±0.3	±0.5
CHK'D BY FENG		APPR BY ZHAN	

6.35mm Pitch 42021 42022 43255
Wire To Board Connector

THIRD ANGLE PROJECTION

ERYAYL1-6.35-1xXX-MH

RoHS Compliance

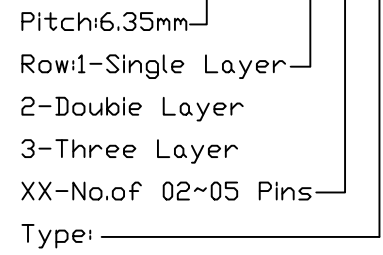


Pin	Dimensions(mm)	
	A	B
02	6.35	13.97
03	12.70	20.32
04	19.05	26.67
05	25.40	33.02

Material:
Housing: PA66,UL94V-0/UL94V-2

Electrical Characteristics:
Rated Current: 15.0AMP
Voltage Rating: 600V AC,DC
Temperature Range: -25°C~+85°C
Insulator Resistance: 1000MΩ/Min.
Withstand Voltage: 5000V AC/DC
Contact Resistance: 3.5MΩ/Max

Order Information:
ERYAYL1-6.35-3xXX-MH



Type: _____
FH-Female Hosing MH-Male Hosing
FT-Female Terminal MT-Male Terminal
S/SW-Straight Male Pin
R-Right Angle Male Pin

NINGBO ERYCO ELECTRONIC CO.,LTD

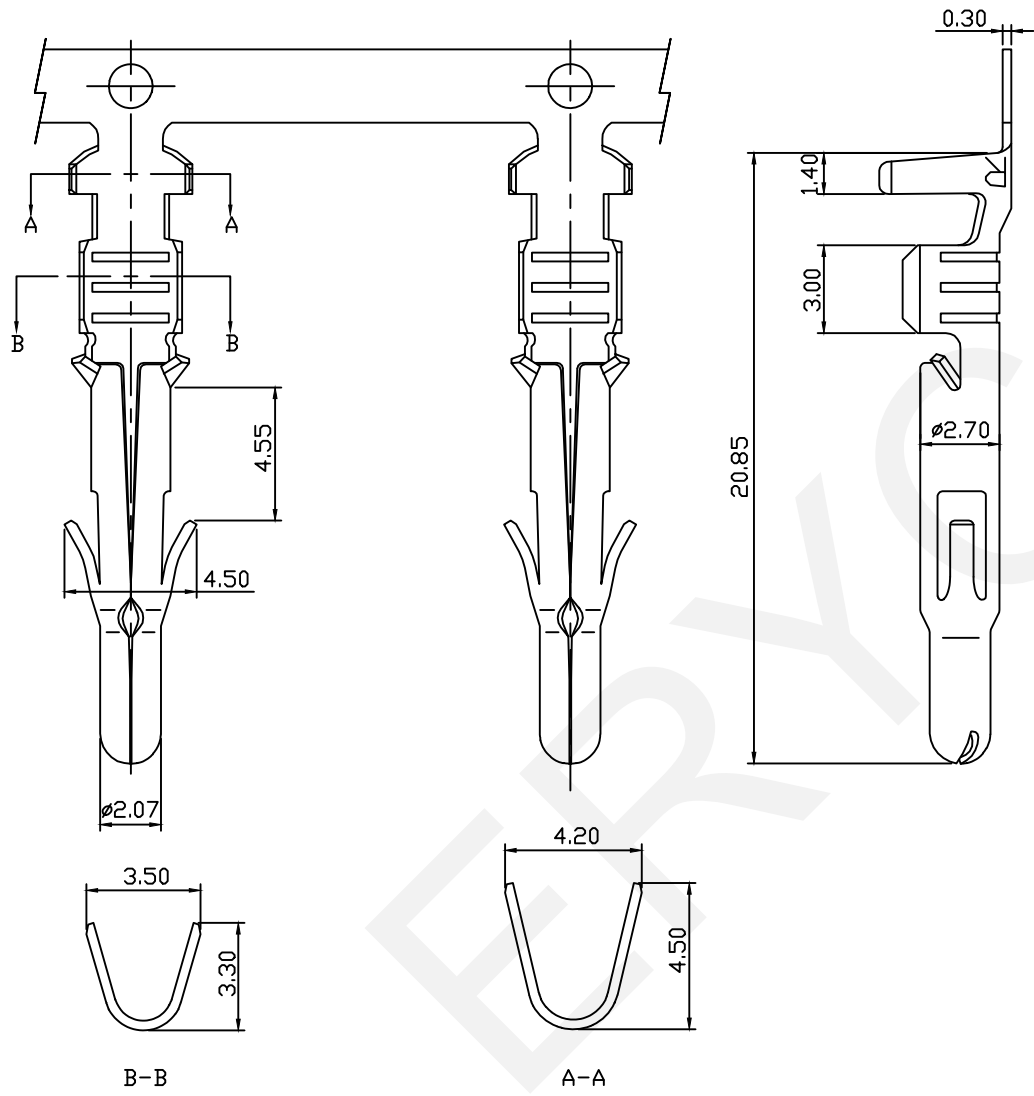
UNITS:mm	SHEET SIZE: A4			SCALE:---	DRWN BY PAN
0~3	3~18	18~50	50~120	CHK'D BY FENG	
±0.12	±0.15	±0.3	±0.5	APPR BY ZHAN	

6.35mm Pitch 42021 42022 43255
Wire To Board Connector

THIRD ANGLE PROJECTION

ERYAYL1-6.35-3xXX-MH

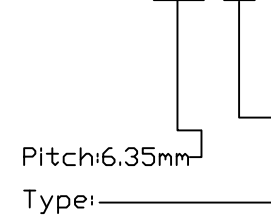
RoHS Compliance



Material:
 Terminal: Brass
 Plating: Tin plated
 Applicable Wires: AWG #14~#20
 Insulation O.D.: 3.30mm Max
 Qty/Reel: 4000 PCS

Electrical Characteristics:
 Rated Current : 15.0AMP
 Voltage Rating : 600V AC,DC
 Temperature Range: -25°C~+85°C
 Insulator Resistance: 1000M Ω /Min.
 Withstanding Voltage: 5000V AC/Minute
 Contact Resistance: 3.5M Ω /Max

Order Information:
 ERYAYL1-6.35-MT



FH-Female Hosing MH-Male Hosing
 FT-Female Terminal MT-Male Terminal
 S/SW-Straight Male Pin
 R-Right Angle Male Pin

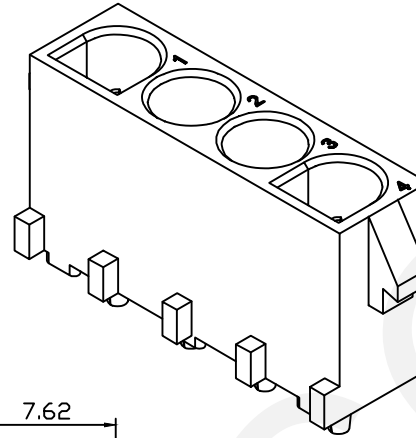
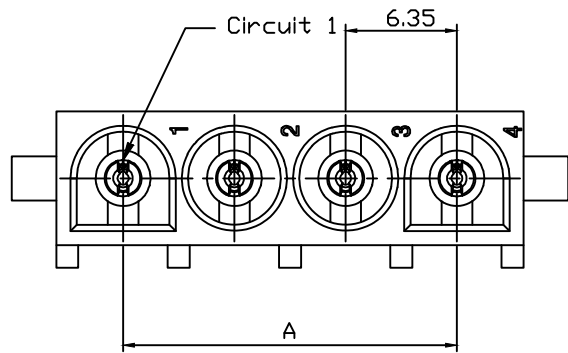
NINGBO ERYCO ELECTRONIC CO.,LTD

UNITS:mm	SHEET SIZE: A4				SCALE:---	DRWN BY PAN
0~3	3~18	18~50	50~120	CHK'D BY FENG	6.35mm Pitch 42021 42022 43255 Wire To Board Connector	
± 0.12	± 0.15	± 0.3	± 0.5	APPR BY ZHAN	THIRD ANGLE PROJECTION	ERYAYL1-6.35-MT

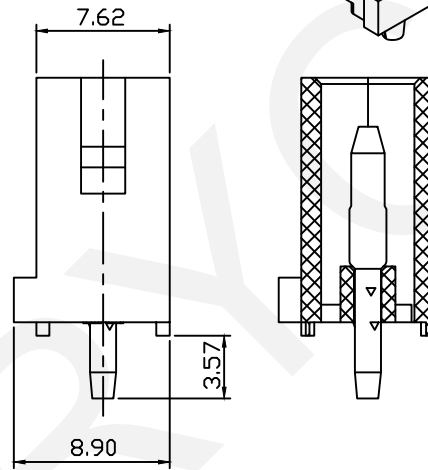
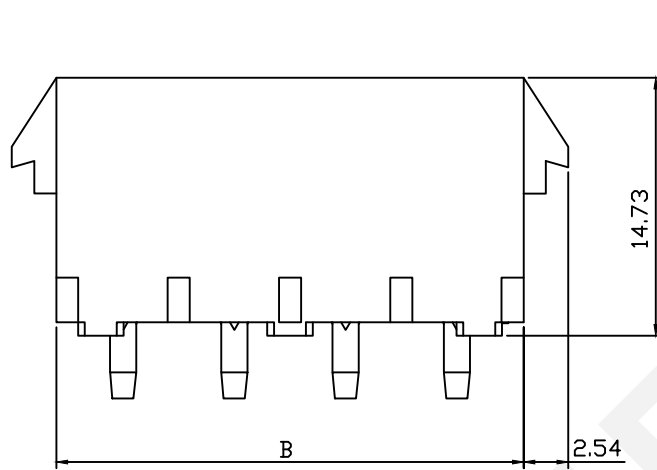


ERYAYL1-6.35-MT

RoHS Compliance



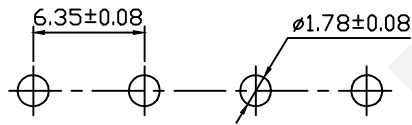
Material:
 Housing: PA66,UL94V-0/UL94V-2
 Contact:Brass
 Plating: Tin plated
 Electrical Characteristics:
 Rated Current: 15.0AMP
 Voltage Rating: 600V AC,DC
 Temperature Range: -25°C~+85°C
 Insulator Resistance: 1000MΩ/Min.
 Withstand Voltage: 5000V AC/DC
 Contact Resistance: 3.5MΩ/Max



Order Information:
 ERYAYL1-6.35-1×XX-S

Pitch:6.35mm
 Row:1-Single Layer
 2-Double Layer
 3-Three Layer
 XX-No.of 02~08 Pins
 Type: _____

FH-Female Hosing MH-Male Hosing
 FT-Female Terminal MT-Male Terminal
 S/SW-Straight Male Pin
 R-Right Angle Male Pin



PCB Layout

Pin	Dimensions(mm)	
	A	B
02	6.35	13.97
03	12.70	20.32
04	19.05	26.67
05	25.40	33.02
06	31.75	39.37
08	44.45	52.07

NINGBO ERYCO ELECTRONIC CO.,LTD

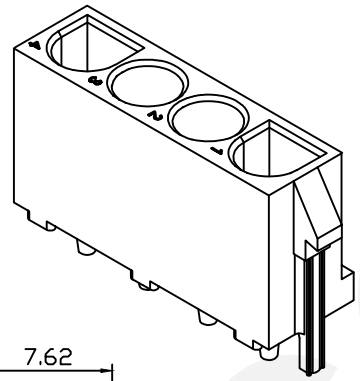
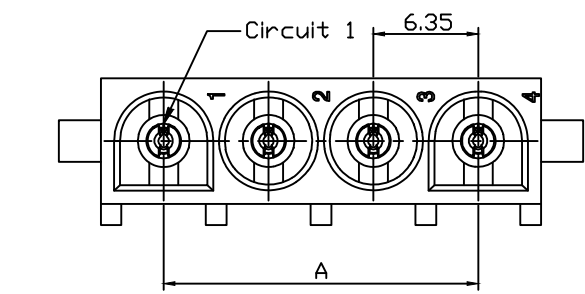
UNITS:mm	SHEET SIZE: A4			SCALE:---	DRWN BY PAN
0~3	3~18	18~50	50~120	CHK'D BY FENG	
±0.12	±0.15	±0.3	±0.5	APPR BY ZHAN	

6.35mm Pitch 42021 42022 43255
 Wire To Board Connector

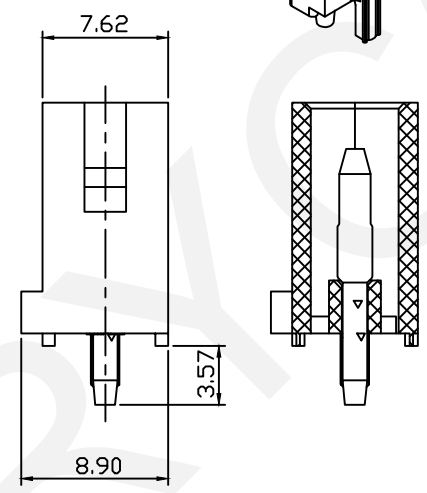
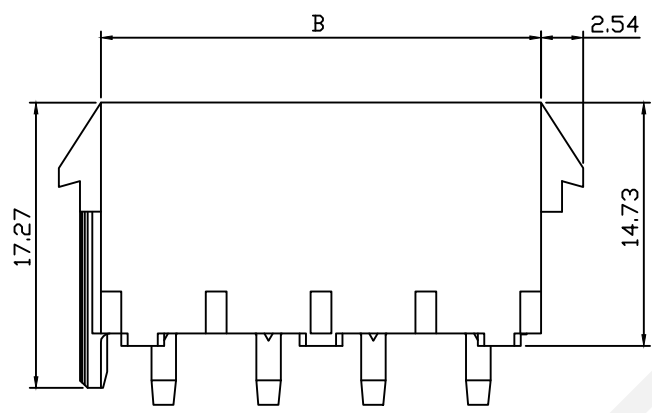
THIRD ANGLE PROJECTION

ERYAYL1-6.35-1×XX-S

RoHS Compliance



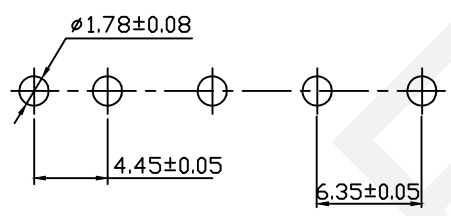
Material:
 Housing: PA66,UL94V-0/UL94V-2
 Contact:Brass
 Plating: Tin plated
 Electrical Characteristics:
 Rated Current: 15.0AMP
 Voltage Rating: 600V AC,DC
 Temperature Range: -25°C~+85°C
 Insulator Resistance: 1000MΩ/Min.
 Withstand Voltage: 5000V AC/DC
 Contact Resistance: 3.5MΩ/Max



Order Information:
 ERYAYL1-6.35-1xXX-SW

Pitch:6.35mm
 Row1-Single Layer
 2-Double Layer
 3-Three Layer
 XX-No.of 02~08 Pins
 Type:

FH-Female Hosing MH-Male Hosing
 FT-Female Terminal MT-Male Terminal
 S/SW-Straight Male Pin
 R-Right Angle Male Pin



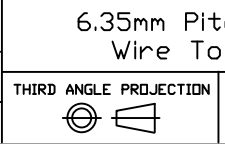
PCB Layout

Pin	Dimensions(mm)	
	A	B
02	6.35	13.97
03	12.70	20.32
04	19.05	26.67
05	25.40	33.02
06	31.75	39.37
08	44.45	52.07

NINGBO ERYCO ELECTRONIC CO.,LTD

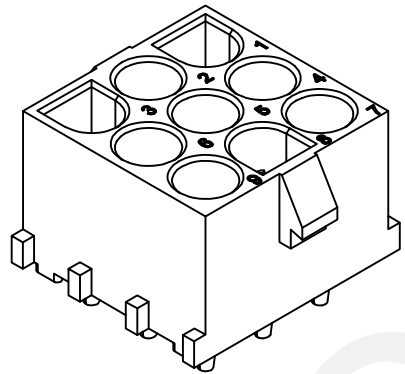
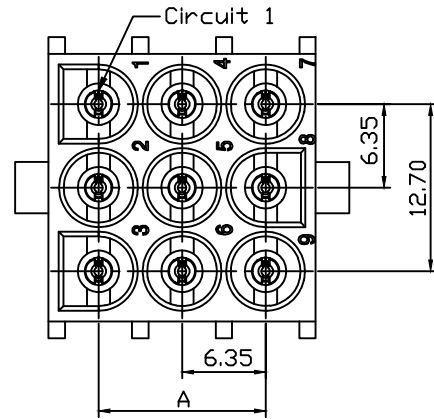
UNITS:mm	SHEET SIZE: A4	SCALE:---	DRWN BY PAN
0~3	3~18	18~50	50~120
±0.12	±0.15	±0.3	±0.5

CHK'D BY FENG
 APPR BY ZHAN

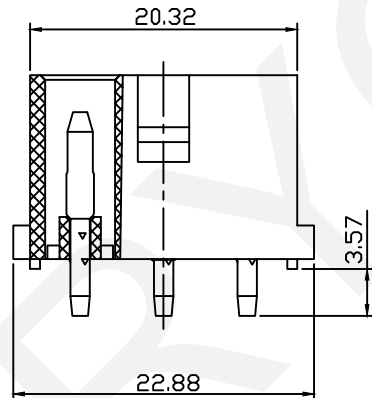
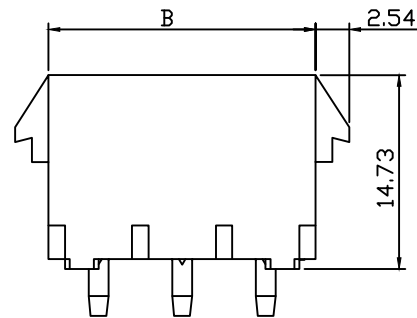


6.35mm Pitch 42021 42022 43255
 Wire To Board Connector
 ERYAYL1-6.35-1xXX-SW

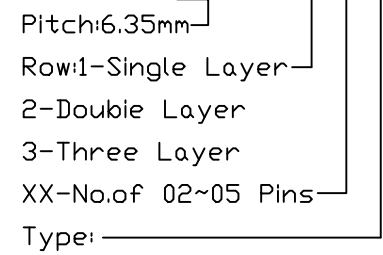
RoHS Compliance



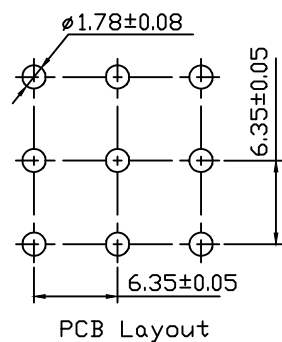
Material:
 Housing: PA66,UL94V-0/UL94V-2
 Contact:Brass
 Plating: Tin plated
 Electrical Characteristics:
 Rated Current: 15.0AMP
 Voltage Rating: 600V AC,DC
 Temperature Range: -25°C~+85°C
 Insulator Resistance: 1000MΩ/Min.
 Withstand Voltage: 5000V AC/DC
 Contact Resistance: 3.5MΩ/Max



Order Information:
 ERYAYL1-6.35-3×XX-S



Type:
 FH-Female Hosing MH-Male Hosing
 FT-Female Terminal MT-Male Terminal
 S/SW-Straight Male Pin
 R-Right Angle Male Pin



Pin	Dimensions(mm)	
	A	B
02	6.35	13.97
03	12.70	20.32
04	19.05	26.67
05	25.40	33.02

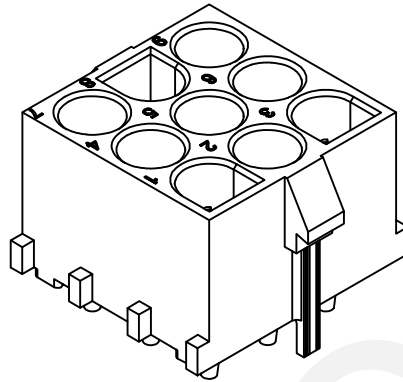
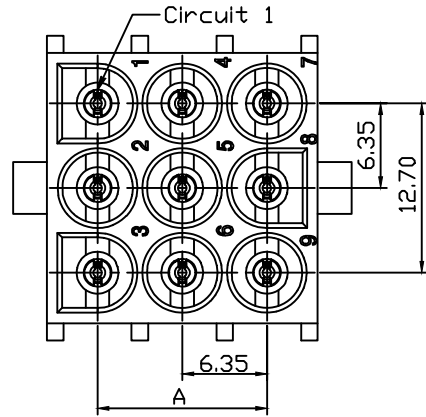
NINGBO ERYCO ELECTRONIC CO.,LTD

UNITS:mm	SHEET SIZE: A4	SCALE:---	DRWN BY PAN
0~3	3~18	18~50	50~120
±0.12	±0.15	±0.3	±0.5

CHK'D BY FENG
 APPR BY ZHAN

6.35mm Pitch 42021 42022 43255
 Wire To Board Connector
 THIRD ANGLE PROJECTION
 ERYAYL1-6.35-3×XX-S

RoHS Compliance



Material:

Housing: PA66,UL94V-0/UL94V-2

Contact:Brass

Plating: Tin plated

Electrical Characteristics:

Rated Current: 15.0AMP

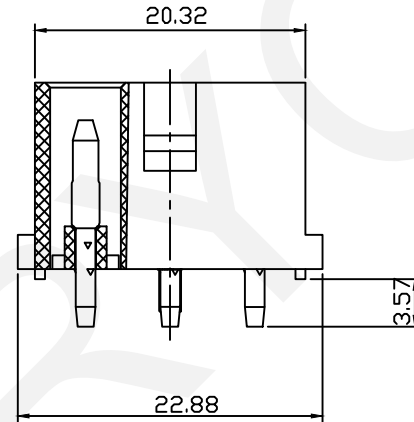
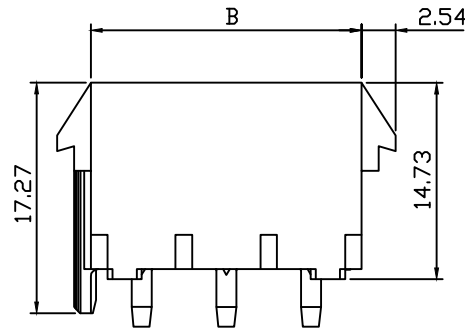
Voltage Rating: 600V AC,DC

Temperature Range: -25°C~+85°C

Insulator Resistance: 1000MΩ/Min.

Withstand Voltage: 5000V AC/DC

Contact Resistance: 3.5MΩ/Max



Order Information:

ERYAYL1-6.35-3xXX-SW

Pitch:6.35mm

Row:1-Single Layer

2-Double Layer

3-Three Layer

XX-No.of 02~05 Pins

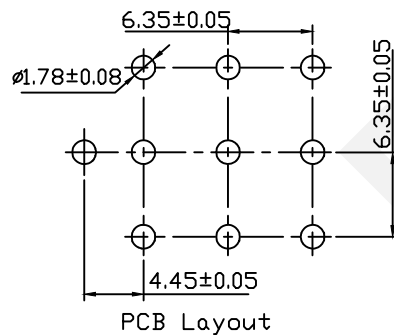
Type:

FH-Female Hosing MH-Male Hosing

FT-Female Terminal MT-Male Terminal

S/SW-Straight Male Pin

R-Right Angle Male Pin



Pin	Dimensions(mm)	
	A	B
02	6.35	13.97
03	12.70	20.32
04	19.05	26.67
05	25.40	33.02

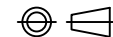
NINGBO ERYCO ELECTRONIC CO.,LTD

UNITS:mm	SHEET SIZE: A4	SCALE:---	DRWN BY PAN
0~3	3~18	18~50	50~120
±0.12	±0.15	±0.3	±0.5

CHK'D BY FENG
APPR BY ZHAN

6.35mm Pitch 42021 42022 43255
Wire To Board Connector

THIRD ANGLE PROJECTION



ERYAYL1-6.35-3xXX-SW