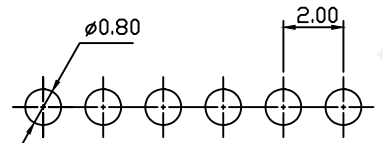
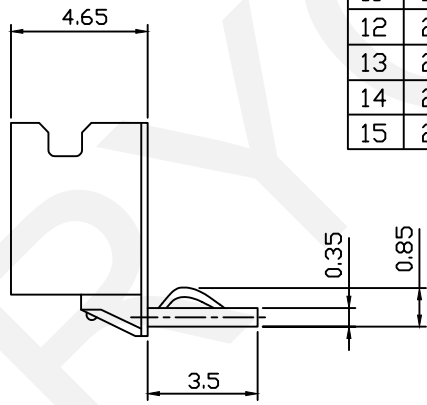
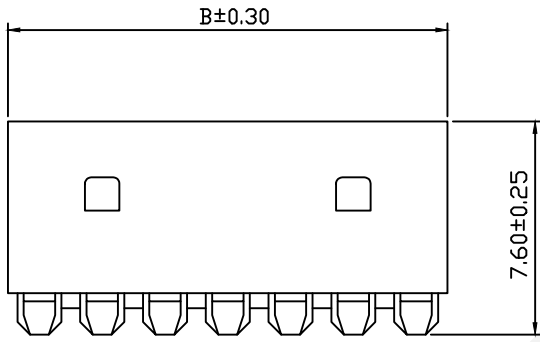
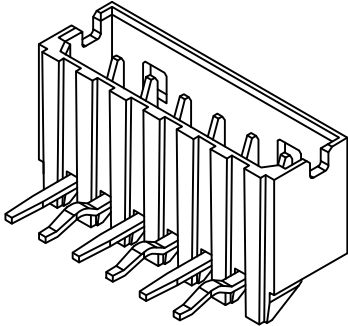
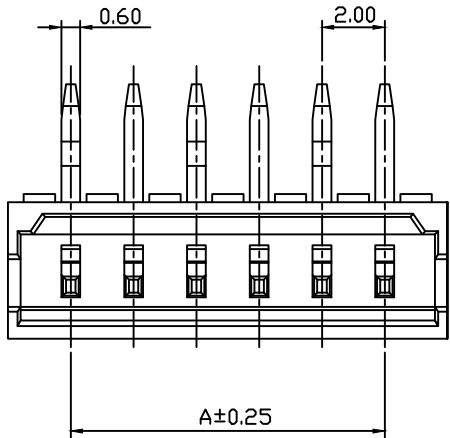


RoHS Compliance



Recommended PCB Layout

Pin	Dimension(mm)	
	A	B
02	2.00	6.00
03	4.00	8.00
04	6.00	10.00
05	8.00	12.00
06	10.00	14.00
07	12.00	16.00
08	14.00	18.00
09	16.00	20.00
10	18.00	22.00
11	20.00	24.00
12	22.00	26.00
13	24.00	28.00
14	26.00	30.00
15	28.00	32.00

Material:

Housing: PA66,UL94V-0

Contact:Brass

Plating: Tin plated Over Nickel

Electrical Characteristics:

Rated Current : 2.0AMP

Voltage Rating : 125V AC,DC

Temperature Range: -25°C~+85°C

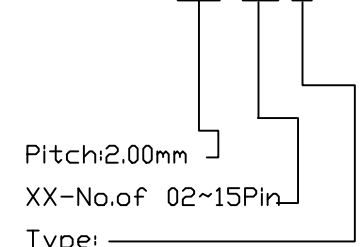
Insulator Resistance: 1000MΩ/Min.

Withstand Voltage: 800V AC/DC

Contact Resistance: 20MΩ/Max

Order Information:

ERYAYL3M-2.00-XX-R



Pitch:2.00mm

XX-No.of 02~15Pin

Type:

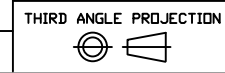
T-Terminal H-Hosing

S-Straight Male Pin

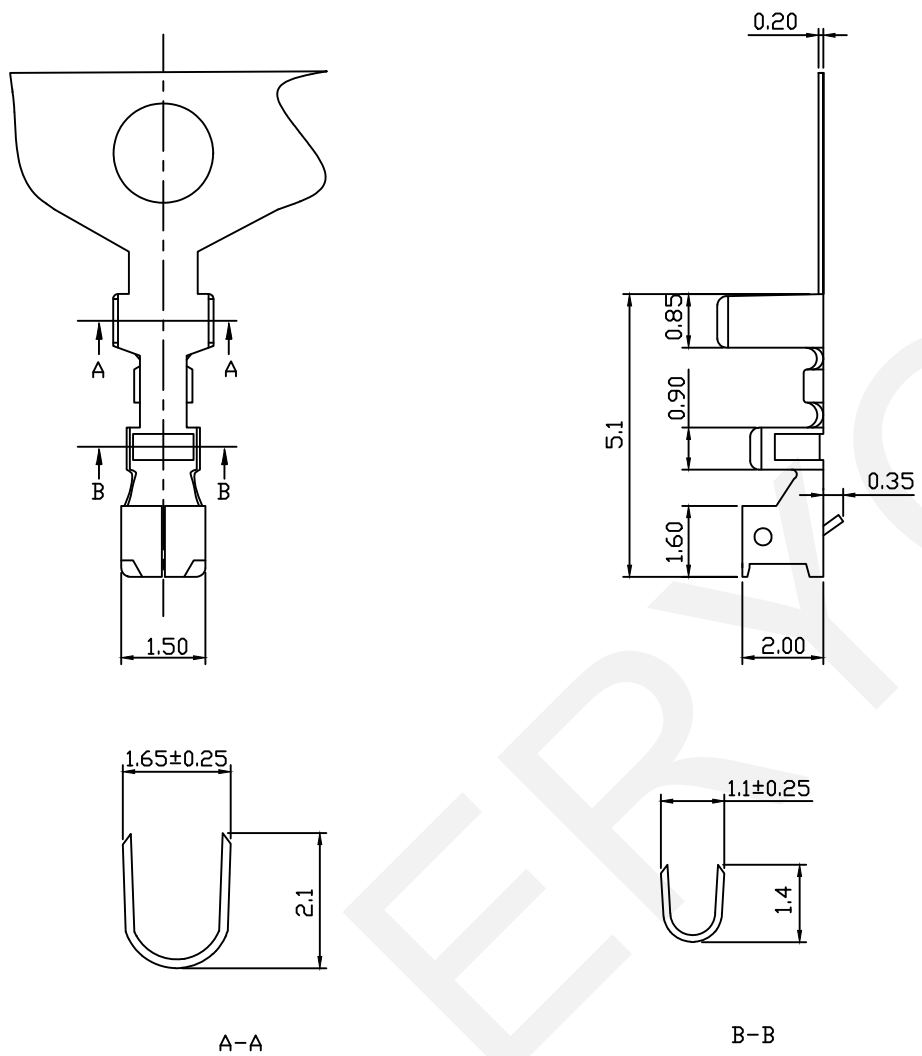
R-Right Angle Male Pin

NINGBO ERYCO ELECTRONIC CO.,LTD

UNITS:mm	SHEET SIZE: A4				SCALE:---	DRWN BY PAN
0~3	3~18	18~50	50~120	CHK'D BY FENG	2.00mm Pitch 51004 Type Wire To Board Connector	
±0.12	±0.15	±0.3	±0.5	APPR BY ZHAN	THIRD ANGLE PROJECTION	ERYAYL3M-2.00-XX-R



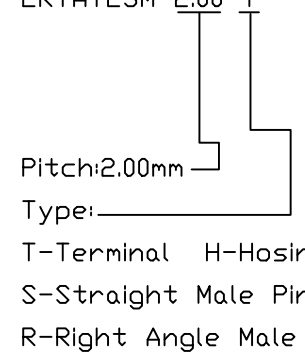
RoHS Compliance



Material:
 Terminal: Phosphor Bronze
 Plating: Tin plated
 Applicable Wires: AWG #24~#30
 Insulation O.D.: 1.40mm Max
 Qty/Reel: 10000 Pcs

Electrical Characteristics:
 Rated Current : 2.0A AC,DC
 Voltage Rating : 125V AC,DC
 Temperature Range: -25°C~+85°C
 Insulator Resistance: 1000MΩ/Min.
 Withstand Voltage: 800V AC/DC
 Contact Resistance: 20MΩ/Max

Order Information:
 ERYAYL3M-2.00-T



NINGBO ERYCO ELECTRONIC CO.,LTD

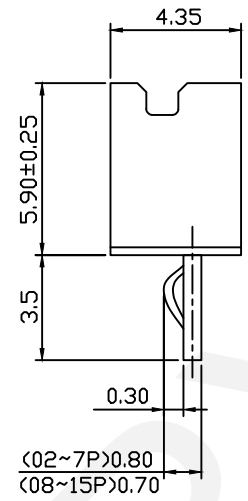
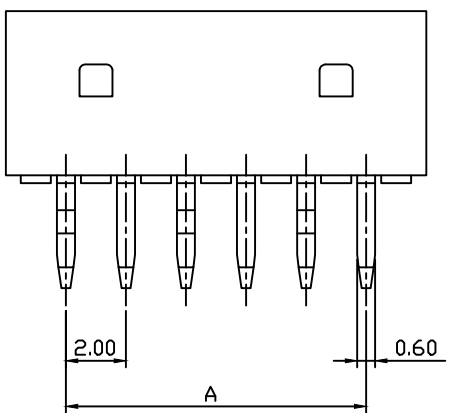
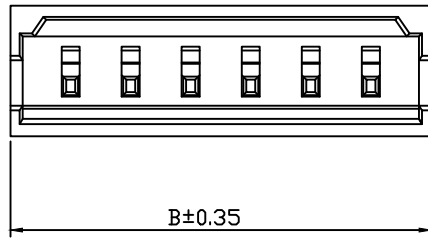
UNITS:mm	SHEET SIZE: A4			SCALE:---	DRWN BY PAN
0~3	3~18	18~50	50~120	CHK'D BY FENG	
±0.12	±0.15	±0.3	±0.5	APPR BY ZHAN	

2.00mm Pitch 51004 Type
 Wire To Board Connector

THIRD ANGLE PROJECTION

ERYAYL3M-2.00-T

RoHS Compliance

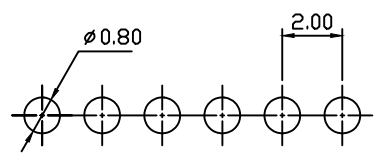
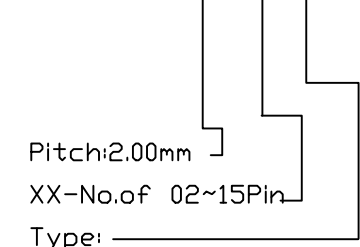


Pin	Dimension(mm)	
	A	B
02	2.00	6.00
03	4.00	8.00
04	6.00	10.00
05	8.00	12.00
06	10.00	14.00
07	12.00	16.00
08	14.00	18.00
09	16.00	20.00
10	18.00	22.00
11	20.00	24.00
12	22.00	26.00
13	24.00	28.00
14	26.00	30.00
15	28.00	32.00

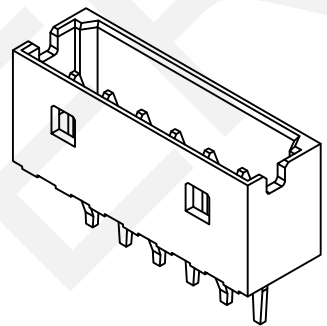
Material:
 Housing: PA66,UL94V-0
 Contact:Brass
 Plating: Tin plated Over Nickel

Electrical Characteristics:
 Rated Current : 2.0AMP
 Voltage Rating : 125V AC,DC
 Temperature Range: -25°C~+85°C
 Insulator Resistance: 1000MΩ/Min.
 Withstand Voltage: 800V AC/DC
 Contact Resistance: 20MΩ/Max

Order Information:
 ERYAYL3M-2.00-XX-S

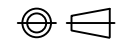


Recommended PCB Layout

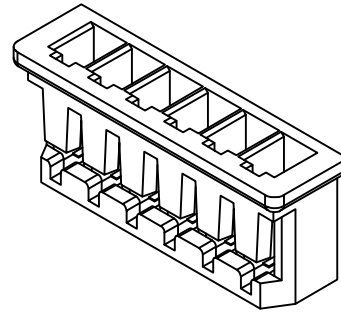
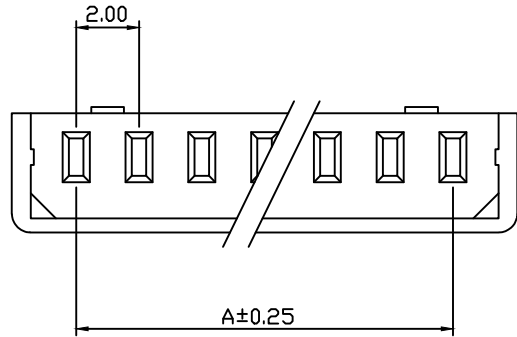


NINGBO ERYCO ELECTRONIC CO.,LTD

UNITS:mm	SHEET SIZE: A4			SCALE:---	DRWN BY PAN
0~3	3~18	18~50	50~120	CHK'D BY FENG	
±0.12	±0.15	±0.3	±0.5	APPR BY ZHAN	

2.00mm Pitch 51004 Type
 Wire To Board Connector
 THIRD ANGLE PROJECTION

 ERYAYL3M-2.00-XX-S

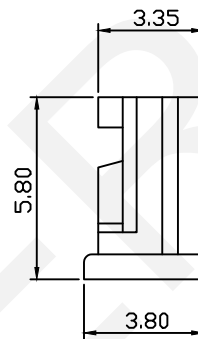
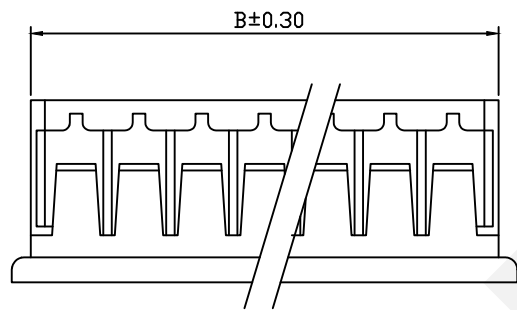
RoHS Compliance



Pin	Dimension(mm)	
	A	B
02	2.00	4.90
03	4.00	6.90
04	6.00	8.90
05	8.00	10.90
06	10.00	12.90
07	12.00	14.90
08	14.00	16.90
09	16.00	18.90
10	18.00	20.90
11	20.00	22.90
12	22.00	24.90
13	24.00	26.90
14	26.00	28.90
15	28.00	30.90

Material:
 Housing: PA66,UL94V-0
 Electrical Characteristics:
 Rated Current : 2.0AMP
 Voltage Rating : 125V AC,DC
 Temperature Range: -25°C~+85°C
 Insulator Resistance: 1000MΩ/Min.
 Withstand Voltage: 800V AC/DC
 Contact Resistance: 20MΩ/Max

Order Information:
 ERYAYL3M-2.00-XX-H



Pitch:2.00mm
 XX-No.of 02~15Pin
 Type: _____
 T-Terminal H-Hosing
 S-Straight Male Pin
 R-Right Angle Male Pin

NINGBO ERYCO ELECTRONIC CO.,LTD

UNITS:mm	SHEET SIZE: A4			SCALE:---	DRWN BY PAN
0~3	3~18	18~50	50~120	CHK'D BY FENG	
±0.12	±0.15	±0.3	±0.5	APPR BY ZHAN	

2.00mm Pitch 51004 Type
 Wire To Board Connector

THIRD ANGLE PROJECTION

ERYAYL3M-2.00-XX-H