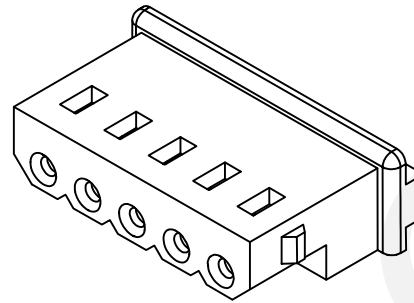
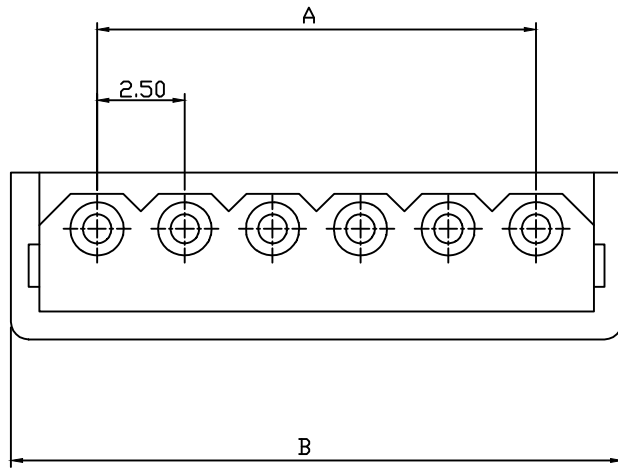
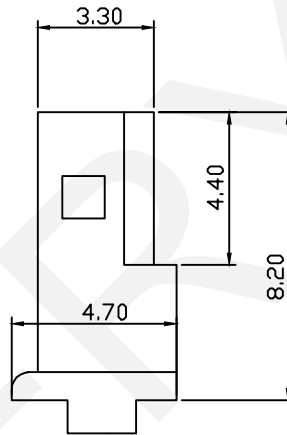
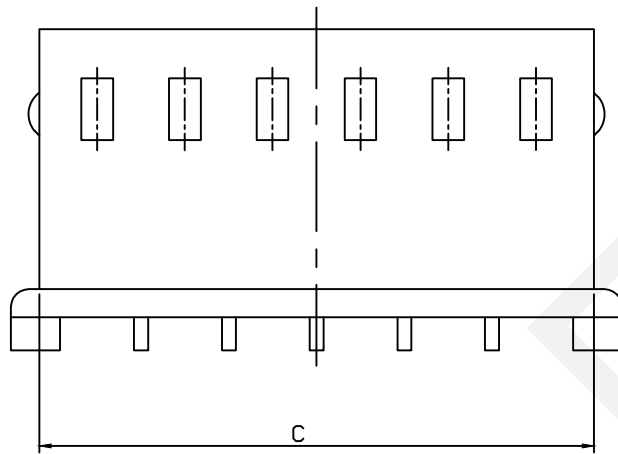


RoHS Compliance



Material:
Housing: PA66,UL94V-0,Natrual

Electrical Characteristics:
Current Rating : 3.0AMP
Voltage Rating : 250V AC,DC
Temperature Range: -25°C +85°C
Insulator Resistance: 1000MΩ/Min.
Withstanding Voltage: 1000V AC/Minute
Contact Resistance: 20MΩ/Max



Pin	Dimension(mm)		
	A	B	C
02	2.50	7.40	5.85
03	5.00	9.90	8.35
04	7.50	12.40	10.85
05	10.00	14.90	13.35
06	12.50	17.40	15.85
07	15.00	19.90	18.35
08	17.50	22.40	20.85
09	20.00	24.90	23.35
10	22.50	27.40	25.85
11	25.00	29.90	28.35
12	27.50	32.40	30.85
13	30.00	34.90	33.35
14	32.50	37.40	35.85
15	35.00	39.90	38.35
16	37.50	42.40	40.85

Order Information:

ERYAYL4-2.50-XX-H

Pitch:2.50mm

XX-No.of 02~16Pin

Type:

T-Terminal H-Hosing

S-Straight Male Pin

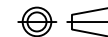
R-Right Angle Male Pin

NINGBO ERYCO ELECTRONIC CO.,LTD

UNITS:mm	SHEET SIZE: A4			SCALE:---	DRWN BY PAN
0~3	3~18	18~50	50~120	CHK'D BY FENG	
±0.12	±0.15	±0.3	±0.5	APPR BY ZHAN	

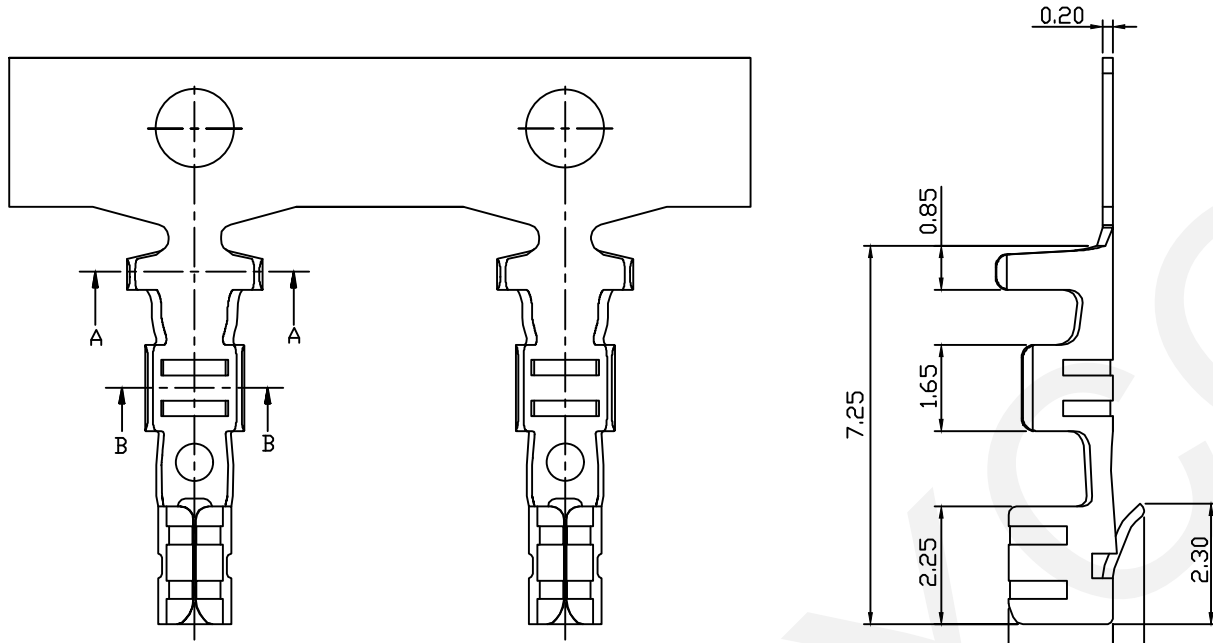
2.50mm Pitch 5264 5267 5268
Wire To Board Connector

THIRD ANGLE PROJECTION



ERYAYL4-2.50-XX-H


RoHS Compliance

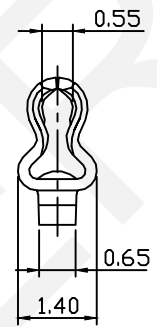
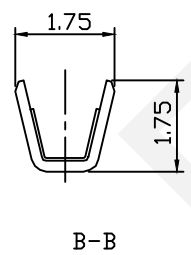
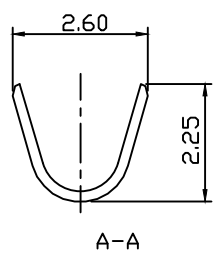


Material:
 Terminal: Phosphor Bronze
 Plating: Tin plated
 Applicable Wires: AWG #22~#28
 Insulation O.D: 1.9mm
 Qty/Reel: 10000 PCS

Electrical Characteristics:
 Current Rating : 3.0AMP
 Voltage Rating : 250V AC,DC
 Temperature Range: -25°C~+85°C
 Insulator Resistance: 1000MΩ/Min.
 Withstanding Voltage: 1000V AC/Minute
 Contact Resistance: 20MΩ/Max

Order Information:
 ERYAYL4-2.50-T

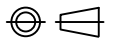
Pitch: 2.50mm
 Type: 
 T-Terminal H-Hosing
 S-Straight Male Pin
 R-Right Angle Male Pin



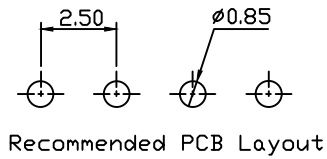
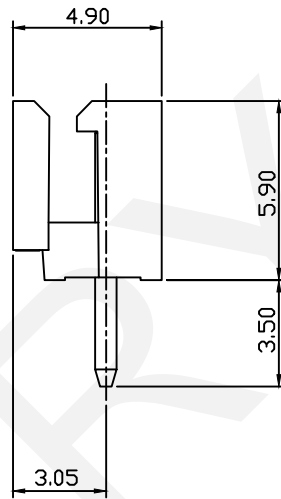
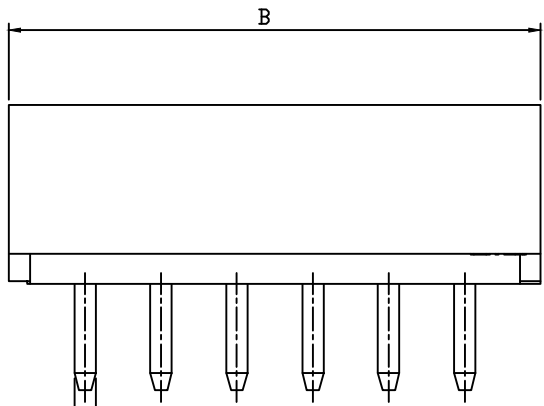
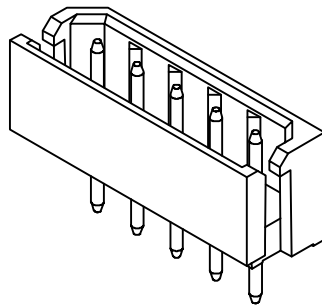
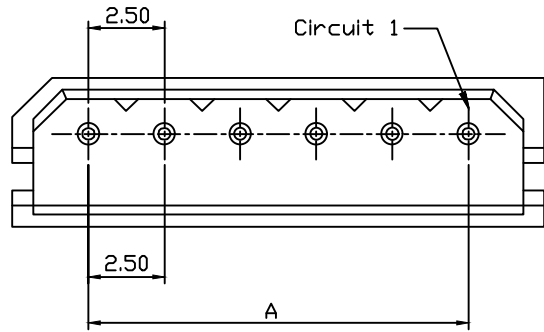
NINGBO ERYCO ELECTRONIC CO.,LTD

UNITS:mm	SHEET SIZE: A4	SCALE:---	DRWN BY PAN
0~3	3~18	18~50	50~120
±0.12	±0.15	±0.3	±0.5

CHK'D BY FENG
 APPR BY ZHAN

2.50mm Pitch 5264 5267 5268
 Wire To Board Connector
 THIRD ANGLE PROJECTION

 ERYAYL4-2.50-T

RoHS Compliance

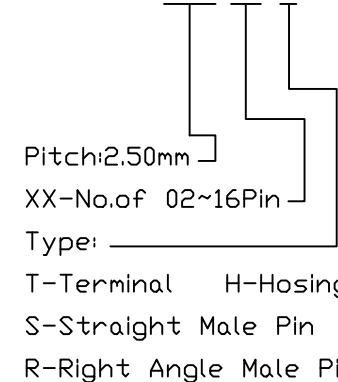


Pin	Dimension(mm)	
	A	B
02	2.50	7.50
03	5.00	10.00
04	7.50	12.50
05	10.00	15.00
06	12.50	17.50
07	15.00	20.00
08	17.50	22.50
09	20.00	25.00
10	22.50	27.50
11	25.00	30.00
12	27.50	32.50
13	30.00	35.00
14	32.50	37.50
15	35.00	40.00
16	37.50	42.50

Material:
 Housing: PA66,UL94V-0,Natrual
 Contact:Brass
 Plating: Tin plate

Electrical Characteristics:
 Current Rating : 3.0AMP
 Voltage Rating : 250V AC,DC
 Temperature Range: -25°C~+85°C
 Insulator Resistance: 1000MΩ/Min.
 Withstanding Voltage: 1000V AC/Minute
 Contact Resistance: 20MΩ/Max

Order Information:
 ERYAYL4-2.50-XX-S

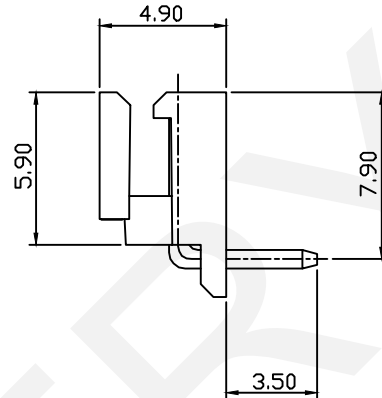
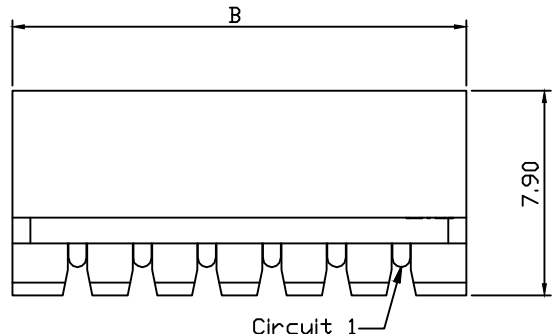
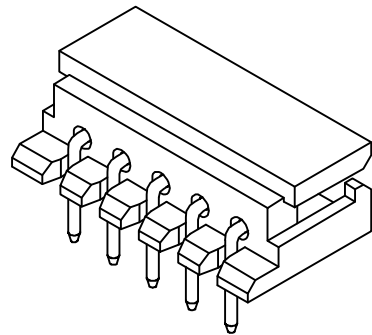
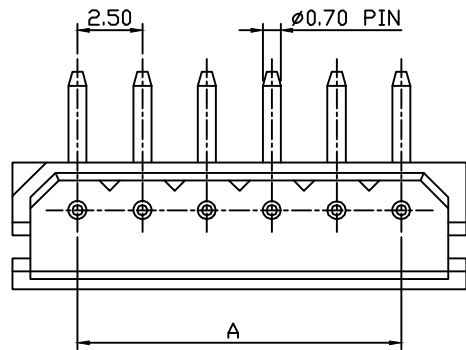


NINGBO ERYCO ELECTRONIC CO.,LTD

UNITS:mm	SHEET SIZE: A4			SCALE:---	DRWN BY PAN
0~3	3~18	18~50	50~120	CHK'D BY FENG	
±0.12	±0.15	±0.3	±0.5	APPR BY ZHAN	

2.50mm Pitch 5264 5267 5268
 Wire To Board Connector
 THIRD ANGLE PROJECTION
 ERYAYL4-2.50-XX-S

RoHS Compliance

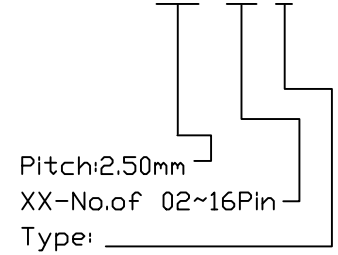


Pin	Dimension(mm)	
	A	B
02	2.50	7.50
03	5.00	10.00
04	7.50	12.50
05	10.00	15.00
06	12.50	17.50
07	15.00	20.00
08	17.50	22.50
09	20.00	25.00
10	22.50	27.50
11	25.00	30.00
12	27.50	32.50
13	30.00	35.00
14	32.50	37.50
15	35.00	40.00
16	37.50	42.50

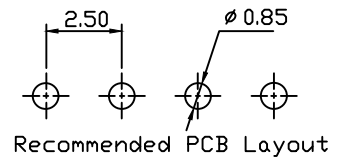
Material:
Housing: PA66,UL94V-0,Natrual
Contact:Brass
Plating: Tin plate

Electrical Characteristics:
Current Rating : 3.0AMP
Voltage Rating : 250V AC,DC
Temperature Range: -25°C~+85°C
Insulator Resistance: 1000MΩ/Min.
Withstanding Voltage: 1000V AC/Minute
Contact Resistance: 20MΩ/Max

Order Information:
ERYAYL4-2.50-XX-R

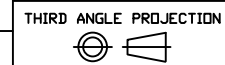


T-Terminal H-Hosing
S-Straight Male Pin
R-Right Angle Male Pin



NINGBO ERYCO ELECTRONIC CO.,LTD

UNITS:mm	SHEET SIZE: A4				SCALE:---	DRWN BY PAN
0~3	3~18	18~50	50~120	CHK'D BY FENG	2.50mm Pitch 5264 5267 5268 Wire To Board Connector	
±0.12	±0.15	±0.3	±0.5	APPR BY ZHAN	THIRD ANGLE PROJECTION	ERYAY4-2.20-XX-R



ERYAY4-2.20-XX-R