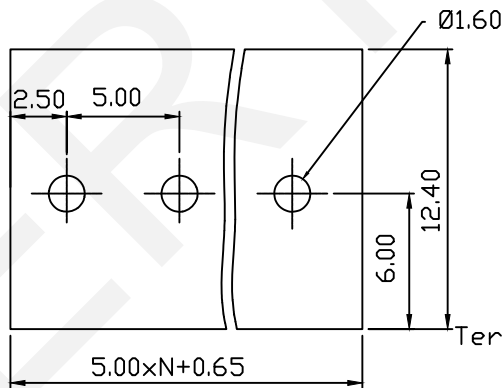


SECTION A-A



PCB LAYOUT

Material

Screw: M2.5, Steel, Zn plated
 Cage: Brass, Nickel plated
 Pin header: Brass, Tin plated
 Housing: PA66, UL94V-0

Electrical

Rated voltage: 300V
 Rated current: 15A
 Wire range: 22~14AWG 1.5mm²
 Contact Resistance: 20mΩ
 Insulation resistance: 500MΩ/DC500V
 Withstand voltage: AC2000V/1min

Mechanical

Temp. Range: -40°C~+105°C
 Soldering: 250°C±5°C for 5S
 Torque: 0.4Nm(3.54Lbin)
 Strip length: 6~7 mm

Order Information

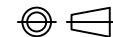
ERYBY02-5.00-XXP-4 S XX
 Terminal Block
 Pitch
 No: of Pole
 Product Code: 00~99
 Screw: S-Slot Screw
 C-Cross Screw
 Color: 4-Green

NINGBO ERYCO ELECTRONIC CO.,LTD

| | | | | | |
|----------|----------------|-------|--------|---------------|-------------|
| UNITS:mm | SHEET SIZE: A4 | | | SCALE:--- | DRWN BY PAN |
| 0~3 | 3~18 | 18~50 | 50~120 | CHK'D BY FENG | |
| ±0.12 | ±0.15 | ±0.3 | ±0.5 | APPR BY ZHAN | |

Screw CONN Terminal Block 5.00mm

THIRD ANGLE PROJECTION



ERYBY02-5.00-XXP-4S