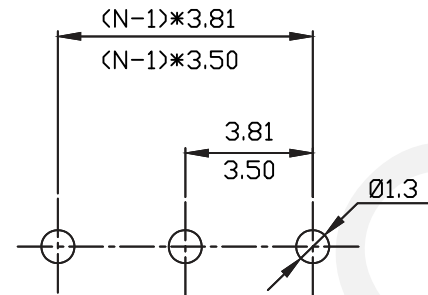


STRAIGHT TYPE



RECOMMEND PCB LAYOUT
(TOLERANCE=±0.05)

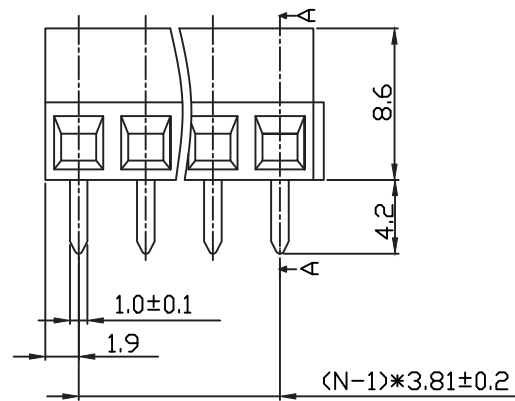
Electrical:

Rated voltage: 300V
 Rated current: 10A
 Contact resistance: 20mΩ
 Insulation resistance: 5000MΩ/1000V
 Withstanding Voltage: AC1500V/1Min
 Wire range: 24-12AWG 1.5mm²
 Material

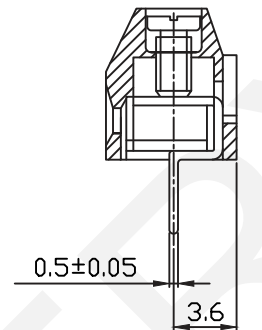
Screws: M2 steel Zinc plated
 Contact: Brass
 Pin header: Brass, Tin plated
 Housing: PA66, UL94V-0

Mechanical

Temp. Range: -40°C~+105°C
 MAX Soldering: +250°C for 5 Sec.
 Torque: 0.2Nm (1.8lb.in)
 Strip length: 5-6mm



N=Number of contacts



SECTION A-A

Order Information

ERYBY25 - 3.50 - xxp

Series No.

Pitch: 3.50=3.50mm 3.81=3.81mm

Number of Pole

x x x

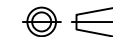
Customer Request
 S=C=Cross Screw
 S=Slot Screw
 Color: 1=Gray 2=Blue 3=Black
 4=Green 5=Orange 6=Red
 7=Transparent 8=Yellow 9=White

NINGBO ERYCO ELECTRONIC CO.,LTD

UNITS:mm	SHEET SIZE: A4			SCALE:---	DRWN BY PAN
0~3	3~18	18~50	50~120	CHK'D BY FENG	
±0.12	±0.15	±0.3	±0.5	APPR BY ZHAN	

3.50/3.81 Screw Terminal Block

THIRD ANGLE PROJECTION



ERYBY25-3.50-XXP