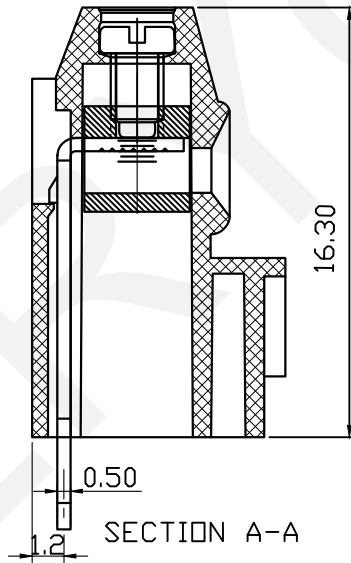
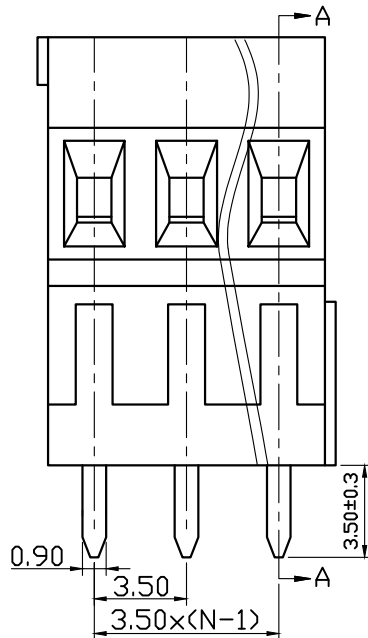


PCB LAYOUT



SECTION A-A

Material
Housing: PA66,UL94V-0
Clamp: Brass, Ni plated
Pin Header: Brass, Tin plated
Screw: M2 steel Zinc plated
Electrical
Rated voltage: 300V
Rated current: 10A
Contact Resistance: 20mΩ
Insulation resistance: 500MΩ/DC500V
Withstand voltage: AC2000V/1min
Wire Range: 24~12AWG 2.5mm²
Mechanical
Temp. Range: -40℃~+105℃
Strip length: 5~6mm
Torque: 0.2Nm (1.75Lb.in)

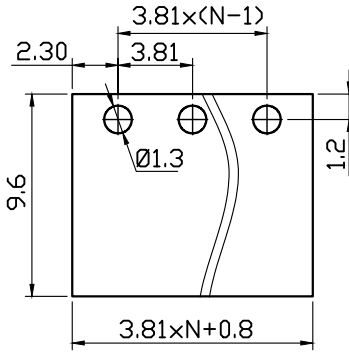
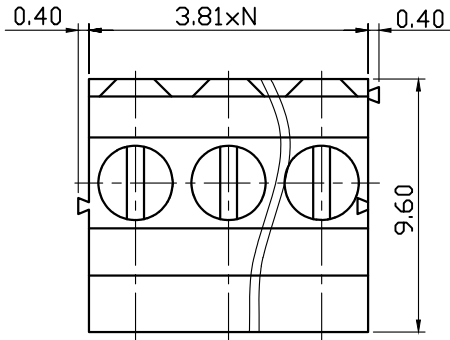
Order Information

ERYAY25H - 3.50 - XXP - 4 S 00
Terminal Block
Pitch
No. of Pole
Color: 4-Green
Screw: S-Slot Screw
Product Code: 00~99

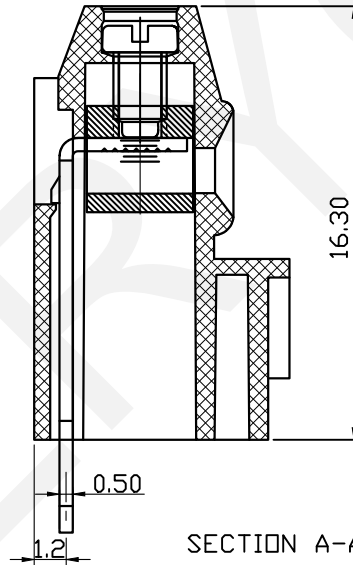
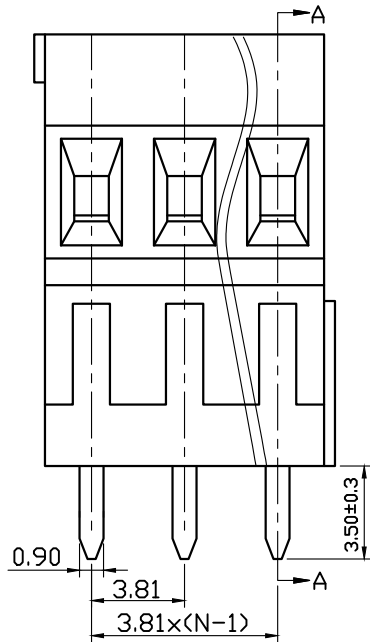
NINGBO ERYCO ELECTRONIC CO.,LTD

UNITS:mm	SHEET SIZE: A4			SCALE:---	DRWN BY PAN
0~3	3~18	18~50	50~120	CHK'D BY FENG	
±0.12	±0.15	±0.3	±0.5	APPR BY ZHAN	

Screw Conn Term Block 3.50mm
THIRD ANGLE PROJECTION
 ERYAY25H-3.50-XXP-4S



PCB LAYOUT



SECTION A-A

Material

Housing: PA66,UL94V-0
 Clamp: Brass, Ni plated
 Pin Header: Brass, Tin plated
 Screw: M2 steel Zinc plated

Electrical

Rated voltage: 300V
 Rated current: 10A
 Contact Resistance: 20mΩ
 Insulation resistance: 500MΩ/DC500V
 Withstand voltage: AC2000V/1min
 Wire Range: 24~12AWG 2.5mm²

Mechanical

Temp. Range: -40°C~+105°C
 Strip length: 5~6mm
 Torque: 0.2Nm (1.75Lb.in)

Order Information

ERYAY25H - 3.81 - XXP - 4 S 00

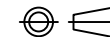
Terminal Block
 Pitch
 No. of Pole
 Color: 4-Green
 Screw: S-Slot Screw
 Product Code: 00~99

NINGBO ERYCO ELECTRONIC CO.,LTD

UNITS:mm	SHEET SIZE: A4			SCALE:---	DRWN BY PAN
0~3	3~18	18~50	50~120	CHK'D BY FENG	
±0.12	±0.15	±0.3	±0.5	APPR BY ZHAN	

Screw Conn Term Block 3.81mm

THIRD ANGLE PROJECTION



ERYAY25H-3.81-XXP-4S