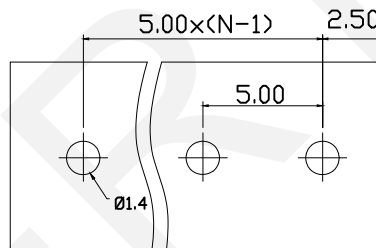
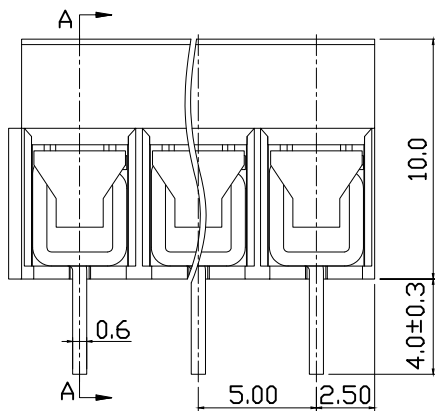


SECTION A-A



PCB LAYOUT

Material

Screw: M2.5, Steel, Zn plated

Shrapnel: Stainless steel, Nickel plated

Pin header: Brass or Steel, Tin plated

Housing: PA66, UL94V-0

Electrical

Rated voltage: 300V

Rated current: 8A

Wire range: 26~14AWG 2.5mm<sup>2</sup>

Contact Resistance: 20 mΩ

Insulation resistance: 500MΩ/DC500V

Withstand voltage: AC2000V/1min

Mechanical

Temp. Range: -40°C~+105°C

Soldering: 250°C±5°C for 5S

Torque: 0.4 N.m (3.54Lb. in)

Strip length: 6~7mm

Order Information

ERYBY26-5.00-XXP-4 S XX

Terminal Block

Pitch

No. of Pole

Product Cde: 00~99

Screw: S-Slot Screw

C-Cross Screw

Color: 4-Green

NINGBO ERYCO ELECTRONIC CO.,LTD

UNITS:mm

SHEET SIZE: A4

SCALE: ---

DRWN BY PAN

Screw Conn Term Block 5.00mm

0~3

3~18

18~50

50~120

CHK'D BY FENG

THIRD ANGLE PROJECTION

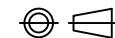
±0.12

±0.15

±0.3

±0.5

APPR BY ZHAN



ERYBY26-5.00-XXP-4S