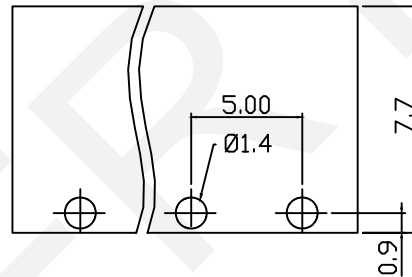
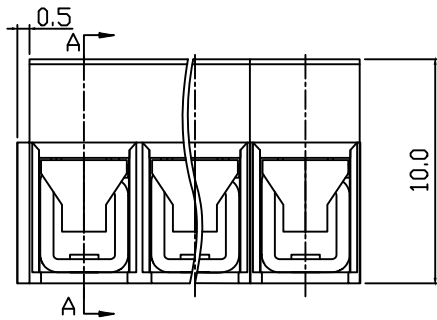


SECTION A-A



PCB LAYOUT

Material

Screw: M2.5, Steel,Zn plated
 Shrapnel Stainless steel,Nickel plated
 Pin header: Brass or Steel, Tin plated
 Housing: PA66, UL94V-0

Electrical

Rated voltage:300V
 Rated current: 8A
 Wire range:26~14AWG 2.5mm²
 Contact Resistance:20 mΩ
 Insulation resistance: 500MΩ/DC500V
 Withstand voltage: AC2000V/1min

Mechanical

Temp.Range: -40℃~+105℃
 Soldering: 250℃±5℃ for 5S
 Torque: 0.4 N.m (3.54Lb. in)
 Strip length: 6~7mm

Order Information

ERYBY26R-5.00-XXP-4 S XX

Terminal Block

Pitch

No. of Pole

Product Cde:00~99

Screw:S-Slot Screw

C-Cross Screw

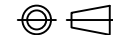
Color:4-Green

NINGBO ERYCO ELECTRONIC CO.,LTD

UNITS:mm	SHEET SIZE: A4			SCALE:---	DRWN BY PAN
0~3	3~18	18~50	50~120	CHK'D BY FENG	
±0.12	±0.15	±0.3	±0.5	APPR BY ZHAN	

Screw Conn Term Block 5.00mm

THIRD ANGLE PROJECTION



ERYAY26R-5.00-XXP-4S