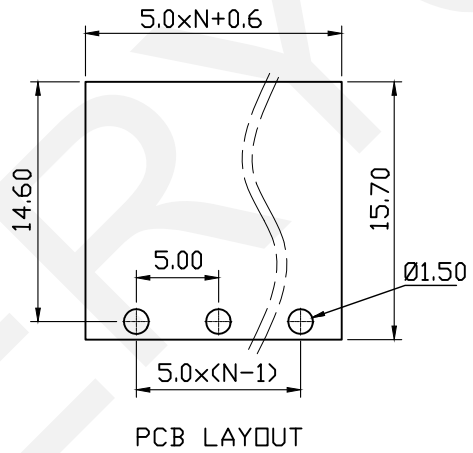
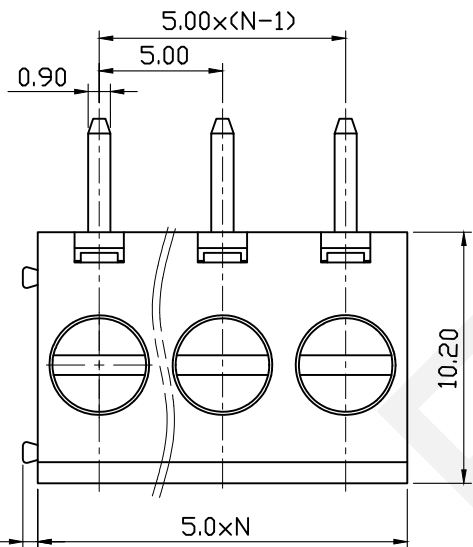


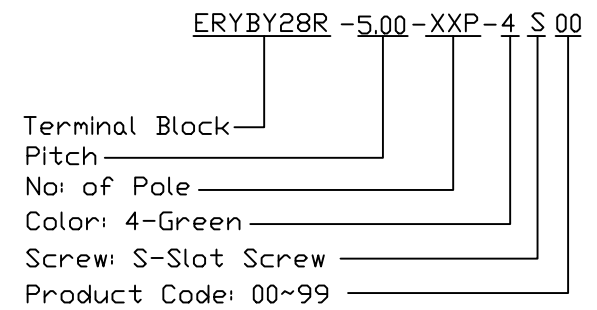
Material
 Housing:PA66,UL94V-0
 Pin Header:Brass, Tin plated
 Clamp:Brass, Ni plated
 Screw:M2.5,steel Zinc plated

Electrical
 Rated voltage:300V
 Rated current:16A
 Contact Resistance:20mΩ
 Insulation resistance:500MΩ/DC500V
 Withstand voltage: AC2000V/1min
 Wire Range: 26~12AWG 2.5mm²

Mechanical
 Temp.Range:-40℃~+105℃
 Strip length:6~7mm
 Torque:0.4Nm(3.5Lb.in)



Order Information



NINGBO ERYCO ELECTRONIC CO.,LTD

UNITS:mm	SHEET SIZE: A4			SCALE:---	DRWN BY PAN
0~3	3~18	18~50	50~120	CHK'D BY FENG	THIRD ANGLE PROJECTION
±0.12	±0.15	±0.3	±0.5	APPR BY ZHAN	

Screw CONN TERM Block 5.00mm
 ERYBY28R-5.00-XXP-4S