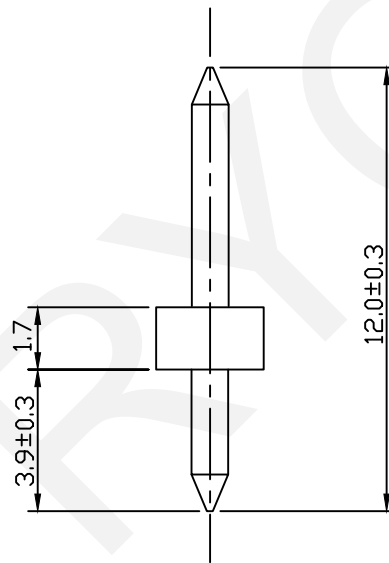
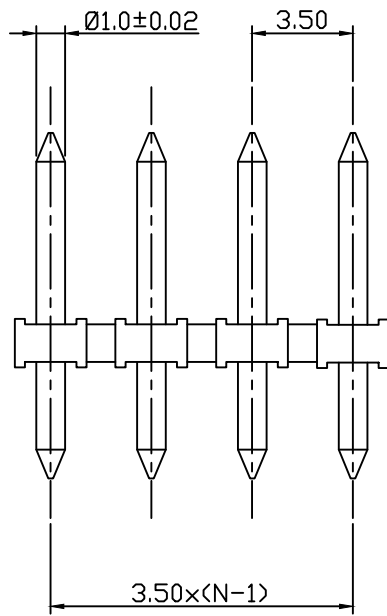


PCB layout

Material:  
 Pin header: Brass, Tin plated  
 Housing: PA66, UL94V-0  
 Electrical:  
 Rated voltage: 300V  
 Rated current: 8A  
 Contact resistance: 20ma  
 Insulation resistance: 500M $\Omega$ /DC500V  
 Withstanding Voltage: AC2000V/1Min  
 Mechanical:  
 Temp. Range: -40~+105 $^{\circ}$ C



Order Information

ERYBY33J-3.50-04P-3

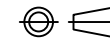
Terminal Block  
 Pitch 3.50mm  
 No. of pins  
 Colour: 3=Black

NINGBO ERYCO ELECTRONIC CO.,LTD

UNITS:mm	SHEET SIZE: A4	SCALE:---	DRWN BY PAN
0~3	3~18	18~50	50~120
±0.12	±0.15	±0.3	±0.5
			CHK'D BY FENG
			APPR BY ZHAN

3.50mm Pitch Male PCB Terminal Block

THIRD ANGLE PROJECTION



ERYBY33J-3.50-04P-3