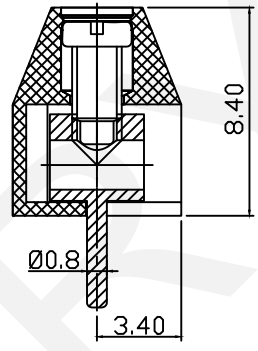
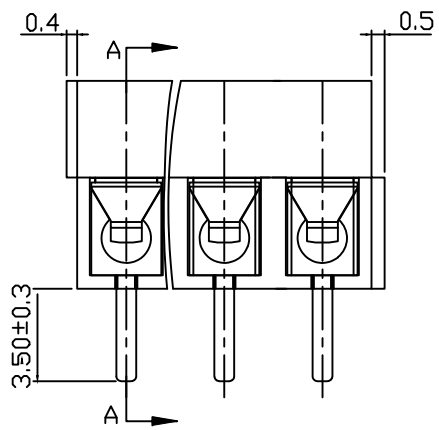


PCB LAYOUT



SECTION A-A

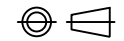
Material
 Screw:M2.5, Steel,Zn plated
 Shrapnel:Phoshor bronze ,Nickel plated
 Pin header:Brass , Tin plated
 Housing:PA66. UL94V-0
 Electrical
 Rated voltage:125V
 Rated current: 10A
 Wire range:24~18AWG 1.0mm²
 Contact Resistance: 20 mΩ
 Insulation resistance: 500MΩ/DC500V
 Withstand voltage: AC2000V/1min
 Mechanical
 Temp.Range:-40℃~+105℃
 Soldering:250℃±5℃ for 5S
 Torque:0.2 N.m (1.77Lb. in)
 Strip length: 4.5~5mm

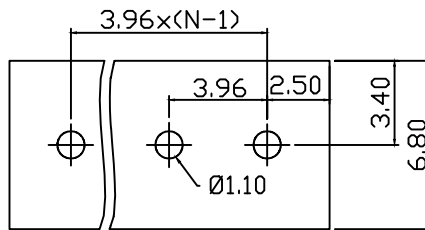
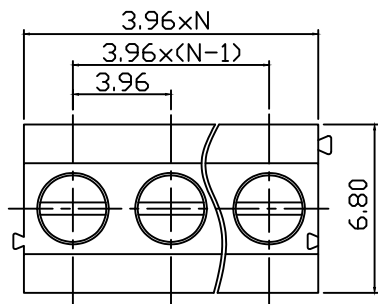
Order Information

ERYBY50 - 3.50 - XXP - 4 S XX
 Terminal Block ———
 Pitch ———
 No. of Pole ———
 Product Cde:00~99
 Screw:S-Slot Screw
 C-Cross Screw
 Color:4-Green

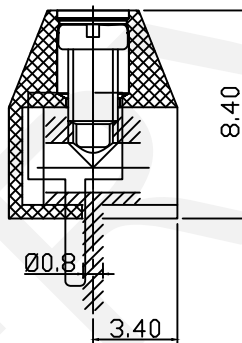
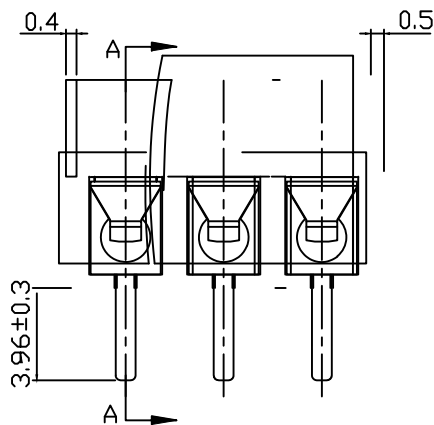
NINGBO ERYCO ELECTRONIC CO.,LTD

UNITS:mm	SHEET SIZE: A4			SCALE:---	DRWN BY PAN
0~3	3~18	18~50	50~120	CHK'D BY FENG	
±0.12	±0.15	±0.3	±0.5	APPR BY ZHAN	

Screw Conn Term Block 3.50mm
 THIRD ANGLE PROJECTION

 ERYBY50-3.50-XXP-4S



PCB LAYOUT



SECTION A-A

Material

Screw: M2.5, Steel,Zn plated

Shrapnel: Phosphor bronze ,Nickel plated

Pin header: Brass , Tin plated

Housing:PA66. UL94V-0

Electrical

Rated voltage:125V

Rated current: 10A

Wire range:24~18AWG 1.0mm

Contact Resistance: 20 mΩ

Insulation resistance: 500MΩ/DC500V

Withstand voltage: AC2000V/1min

Mechanical

Temp.Range:-40℃~+105℃

Soldering:250℃±5℃ for 5S

Torque:0.2 N.m (1.77Lb. in)

Strip length: 4.5~5mm

Order Information

ERYBY50 - 3.96 - XXP - 4 S XX

Terminal Block

Pitch

No. of Pole

Product Cde:00~99

Screw:S-Slot Screw
C-Cross Screw

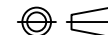
Color:4-Green

NINGBO ERYCO ELECTRONIC CO.,LTD

UNITS:mm	SHEET SIZE: A4			SCALE:---	DRWN BY PAN
0~3	3~18	18~50	50~120	CHK'D BY FENG	
±0.12	±0.15	±0.3	±0.5	APPR BY ZHAN	

Screw Conn Term Block 3.96mm

THIRD ANGLE PROJECTION



ERYBY50-3.96-XXP-4S