

SECTION A-A

Material

Housing: PA66, UL94V-0

Clamp: Phosphor bronze, Ni plated

Screws: M2, Zinc plated

Wire guard: Brass, Ni plated

Electrical

Rated voltage: 300V

Rated current: 8A

Contact Resistance: 20mΩ

Insulation resistance: 500MΩ/DC500V

Withstand voltage: AC2000V/1min

Wire Range: 28~16AWG 1.5mm²

Mechanical

Temp. Range: -40°C+105°C

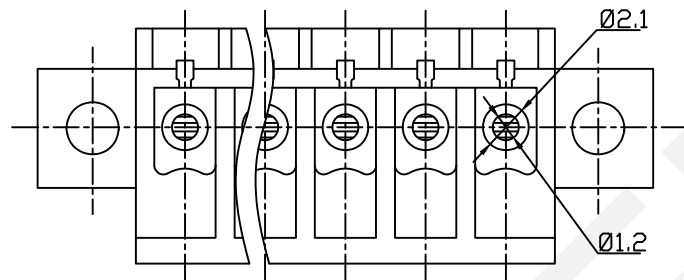
Strip length: 6~7mm

Torque: 0.2Nm (1.7in)

Order Information

ERYBYDCKM-3.50-XXP-4 S 00

Terminal Block _____
 Pitch _____
 No. of Pole _____
 Color: 4-Green _____
 Screw: S-Slot Screw C-Cross Screw _____
 Product Code : 00~99 _____

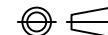


NINGBO ERYCO ELECTRONIC CO.,LTD

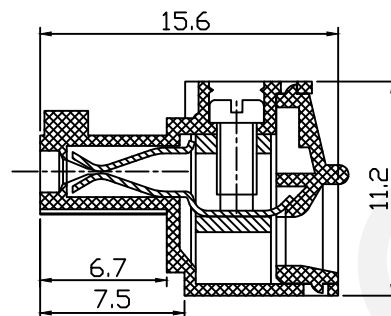
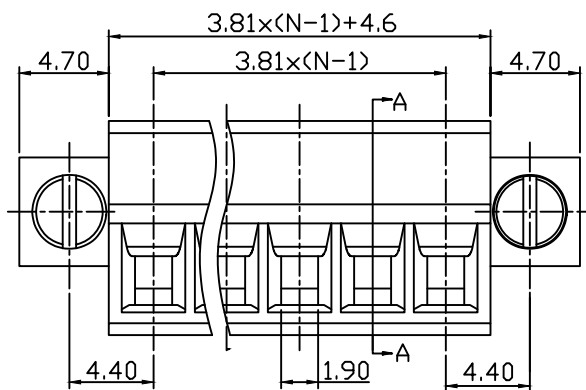
UNITS:mm	SHEET SIZE: A4			SCALE:---	DRWN BY PAN
0~3	3~18	18~50	50~120	CHK'D BY FENG	
±0.12	±0.15	±0.3	±0.5	APPR BY ZHAN	

Plug-in TERM BLOCK 3.50MM

THIRD ANGLE PROJECTION



ERYBYDCKM-3.50-XXP-4S-00



SECTION A-A

Material

Housing: PA66, UL94V-0

Clamp: Phosphor bronze, Ni plated

Screws: M2, Zinc plated

Wire guard: Brass, Ni plated

Electrical

Rated voltage: 300V

Rated current: 8A

Contact Resistance: 20mΩ

Insulation resistance: 500MΩ/DC500V

Withstand voltage: AC2000V/1min

Wire Range: 28~16AWG 1.5mm²

Mechanical

Temp. Range: -40°C+105°C

Strip length: 6~7mm

Torque: 0.2Nm (1.7in)

Order Information

ERYBYDCKM-3.81-XXP-4S00

Terminal Block

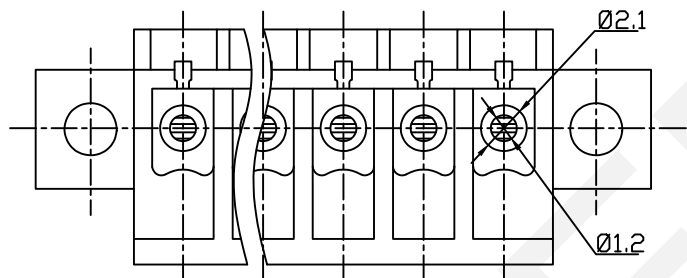
Pitch

No. of Pole

Color: 4-Green

Screw: S-Slot Screw C-Cross Screw

Product Code: 00~99



NINGBO ERYCO ELECTRONIC CO.,LTD

UNITS:mm

SHEET SIZE: A4

SCALE: ---

DRWN BY PAN

Plug-in TERM BLOCK 3.81MM

0~3

3~18

18~50

50~120

CHK'D BY FENG

THIRD ANGLE PROJECTION

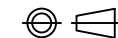
±0.12

±0.15

±0.3

±0.5

APPR BY ZHAN



ERYBYDCKM-3.81-XXP-4S-00

1

2

3

4

5

6

7

8

9