

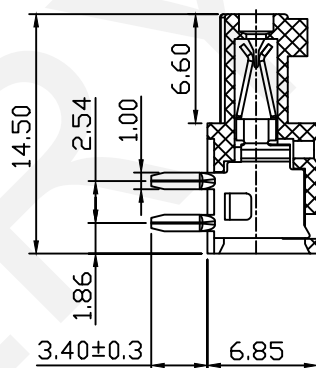
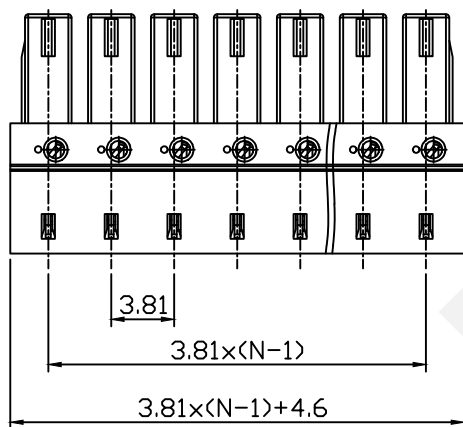
PCB LAYOUT

Material
 Housing: PA66, UL94 V-0
 Phosphor Bronze, Tin plated
 Electrical
 Rated voltage: 300V
 Rated current: 8A
 Contact Resistance: 20 mΩ
 Insulation resistance: 500MΩ/DC500V
 Withstand voltage: AC1250V/1min
 Mechanical
 Temp. Range: -40°C+105°C

Order Information

ERYBYDKR-3.81-XXP-4 00

Terminal Block _____
 Pitch _____
 No. of Pole _____
 Color: 4-Green _____
 Product Code: 00~99 _____

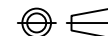


NINGBO ERYCO ELECTRONIC CO.,LTD

UNITS:mm	SHEET SIZE: A4			SCALE:---	DRWN BY PAN
0~3	3~18	18~50	50~120	CHK'D BY FENG	
±0.12	±0.15	±0.3	±0.5	APPR BY ZHAN	

Pluggable Terminal Block 3.81MM

THIRD ANGLE PROJECTION



ERYBYDRK-3.81-XXP-4-00