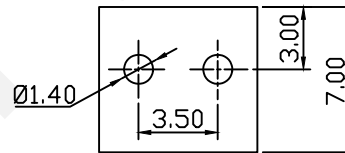
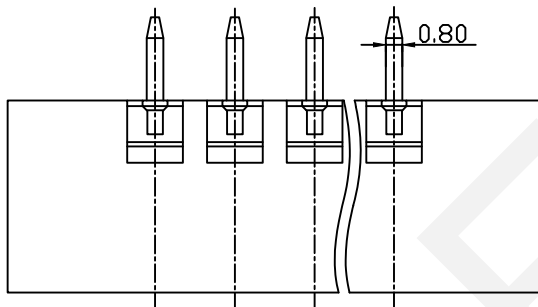


Material  
 Housing:PA66, UL94 V-0  
 Pin header:Brass,Ni Plated  
 Nut:M2.5 Brass  
 Electrical  
 Rated voltage:300V  
 Rated current:8A  
 Contact Resistance:20 mΩ  
 Insulation resistance: 500MΩ/DC500V  
 Withstand voltage:AC2000V/1min  
 Mechanical  
 Temp.Range:-40°C+105°C



Order Information

ERYBYDLV-3.50-XXP-4 S 00

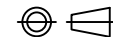
Terminal Block \_\_\_\_\_  
 Pitch \_\_\_\_\_  
 No.of Pole \_\_\_\_\_  
 Color:4-Green \_\_\_\_\_  
 Screw:S-Slot Screw C-Crass Screw \_\_\_\_\_  
 Product: 00~99 \_\_\_\_\_

NINGBO ERYCO ELECTRONIC CO.,LTD

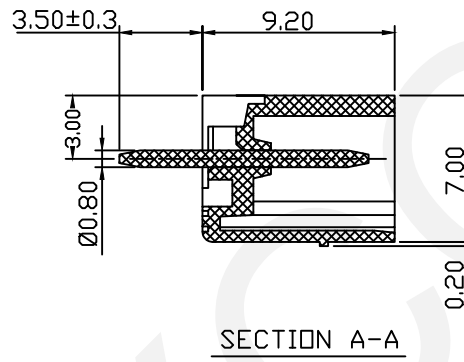
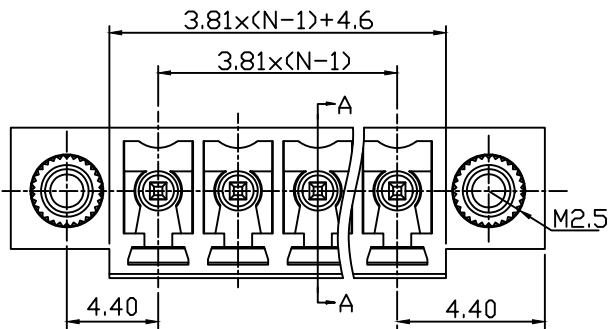
UNITS:mm	SHEET SIZE: A4			SCALE:---	DRWN BY PAN
0~3	3~18	18~50	50~120	CHK'D BY FENG	
±0.12	±0.15	±0.3	±0.5	APPR BY ZHAN	

Pluggable Terminal Block 3.5MM

THIRD ANGLE PROJECTION



ERYBYDLV-3.50-XXP-4S-00

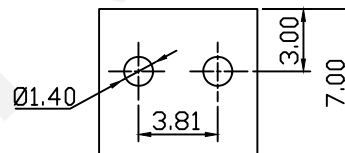
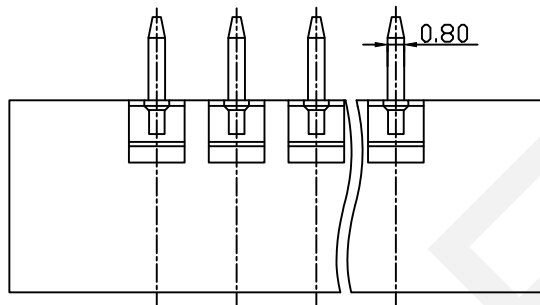


Material  
 Housing: PA66, UL94 V-0  
 Pin header: Brass, Ni Plated  
 Nut: M2.5 Brass  
 Electrical  
 Rated voltage: 300V  
 Rated current: 8A  
 Contact Resistance: 20 mΩ  
 Insulation resistance: 500MΩ/DC500V  
 Withstand voltage: AC2000V/1min  
 Mechanical  
 Temp. Range: -40°C + 105°C

Order Information

ERYBYDLV-3.81-XXP-4 S 00

Terminal Block \_\_\_\_\_  
 Pitch \_\_\_\_\_  
 No. of Pole \_\_\_\_\_  
 Color: 4-Green \_\_\_\_\_  
 Screw: S-Slot Screw C-Cross Screw \_\_\_\_\_  
 Product: 00~99 \_\_\_\_\_

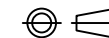


NINGBO ERYCO ELECTRONIC CO.,LTD

UNITS:mm	SHEET SIZE: A4			SCALE:---	DRWN BY PAN
0~3	3~18	18~50	50~120	CHK'D BY FENG	
±0.12	±0.15	±0.3	±0.5	APPR BY ZHAN	

Pluggable Terminal Block 3.81MM

THIRD ANGLE PROJECTION



ERYBYDLV-3.81-XXP-4S-00