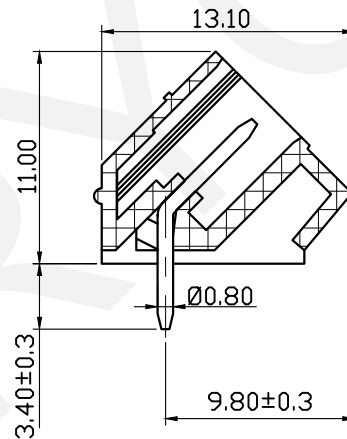
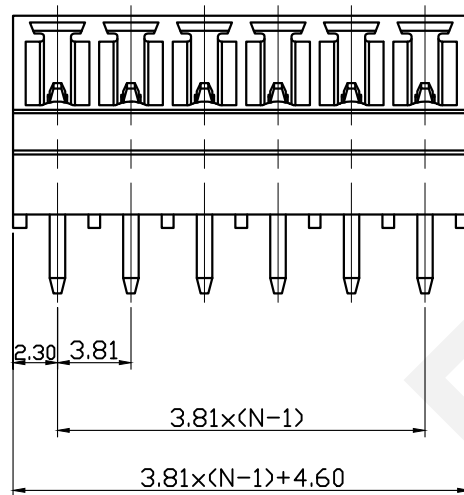
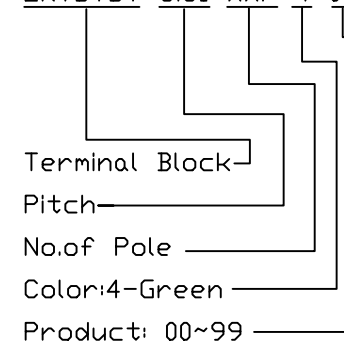


PCB LAYOUT

Material
 Housing:PA66, UL94V-0
 Pin header:Copper Alloy,Sn plated
 Electrical
 Rated voltage:300V
 Rated current:8A
 Contact Resistance:20 mΩ
 Insulation resistance: 500MΩ/DC500V
 Withstand voltage:AC2000V/1min
 Mechanical
 Temp.Range:-40℃+105℃



Order Information
 ERYBYDY-3.81-XXP-4-00

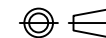


NINGBO ERYCO ELECTRONIC CO.,LTD

UNITS:mm	SHEET SIZE: A4			SCALE:---	DRWN BY PAN
0~3	3~18	18~50	50~120	CHK'D BY FENG	
±0.12	±0.15	±0.3	±0.5	APPR BY ZHAN	

Pluggable Terminal Block 3.81MM

THIRD ANGLE PROJECTION



ERYBYDY-3.81-XXP-4-00