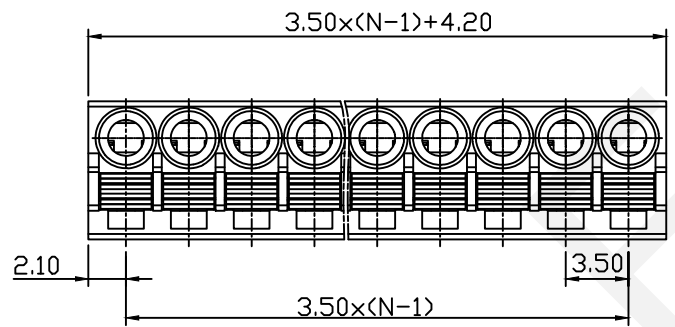


Material  
 Housing:PA66, UL94V-0  
 Clamp:PhosphorBronze,Tin plated  
 Shrapnel :Stainless stell  
 Electrical  
 Rated voltage:300V  
 Rated current:8A  
 Contact Resistance:20mΩ  
 Insulation resistance: 500MΩ/DC500V  
 Withstand voltage:AC2000V/1min  
 Wire Range:24~16AWG 1.0mm<sup>2</sup>  
 Mechanical  
 Temp. Range:-40℃~+105℃  
 Strip length 9-10mm

Order Information

ERYBYMC-3.50-XXP-4-00

Terminal Block  
 Pitch  
 No. of Pole  
 Color:4-Green  
 Product Code: 00~99



G	NINGBO ERYCO ELECTRONIC CO.,LTD			UNITS:mm	SHEET SIZE: A4	SCALE:---	DRWN BY PAN	Plyggable Terminal Block 3.5MM		
				0~3	3~18	18~50	50~120	CHK'D BY FENG	THIRD ANGLE PROJECTION	ERYBYMC-3.50-XXP-4-00
				±0.12	±0.15	±0.3	±0.5	APPR BY ZHAN		
1	2	3	4	5	6	7	8	9		