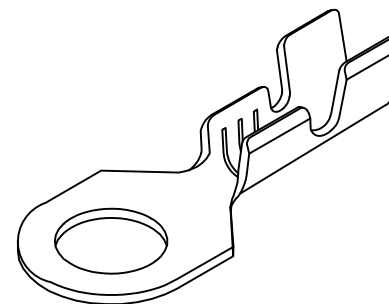
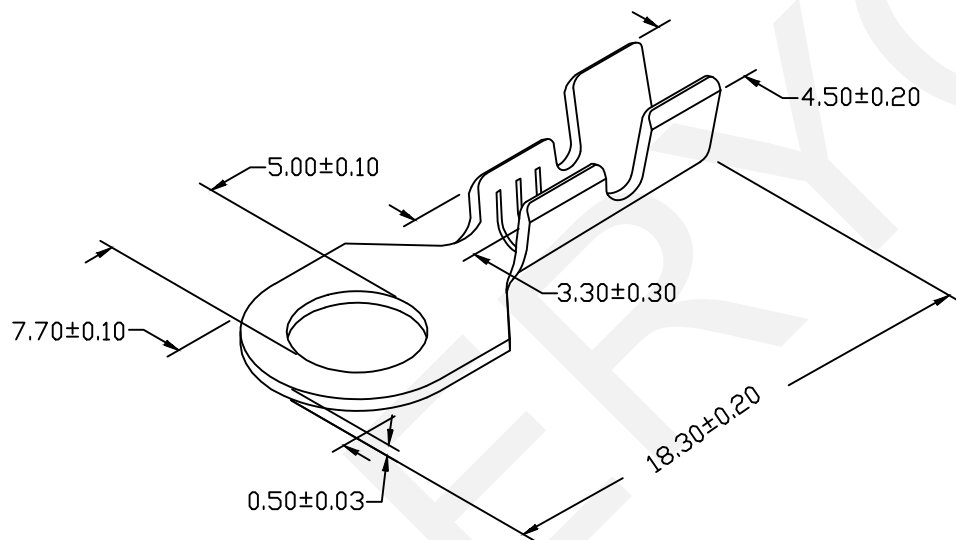


Note:

1. Appearance: Terminal cannot be corrected, scratched or oxidized
2. Material: Brass C2680, T=0.50mm, Tin plating
3. Q'TY: 5000PCS/REEL
4. Wire Range: 18~20AWG

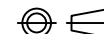


NINGBO ERYCO ELECTRONIC CO.,LTD

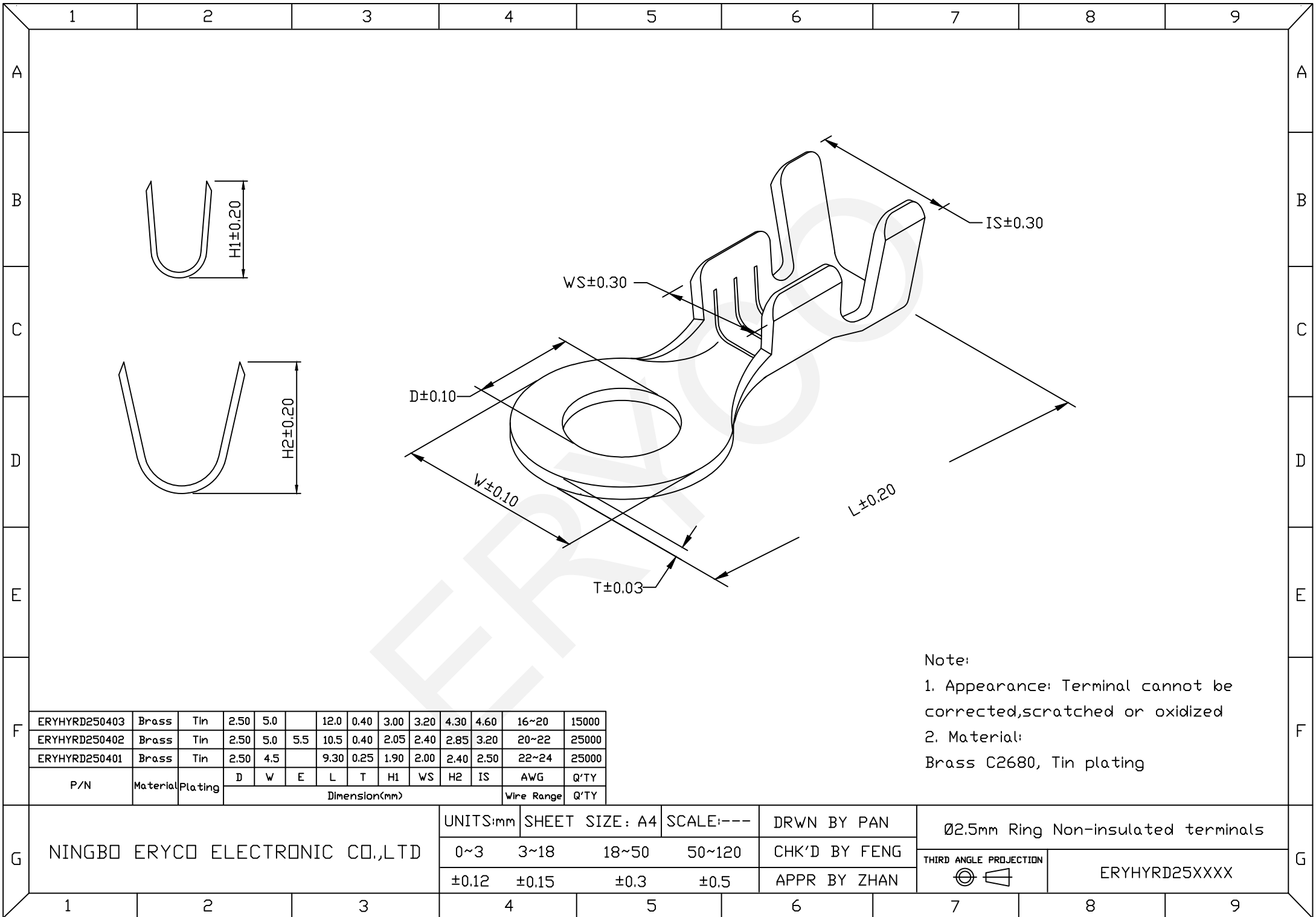
UNITS:mm	SHEET SIZE: A4			SCALE:---	DRWN BY PAN
0~3	3~18	18~50	50~120	CHK'D BY FENG	
±0.12	±0.15	±0.3	±0.5	APPR BY ZHAN	

Ø2.5mm Ring Non-insulated terminals

THIRD ANGLE PROJECTION

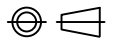


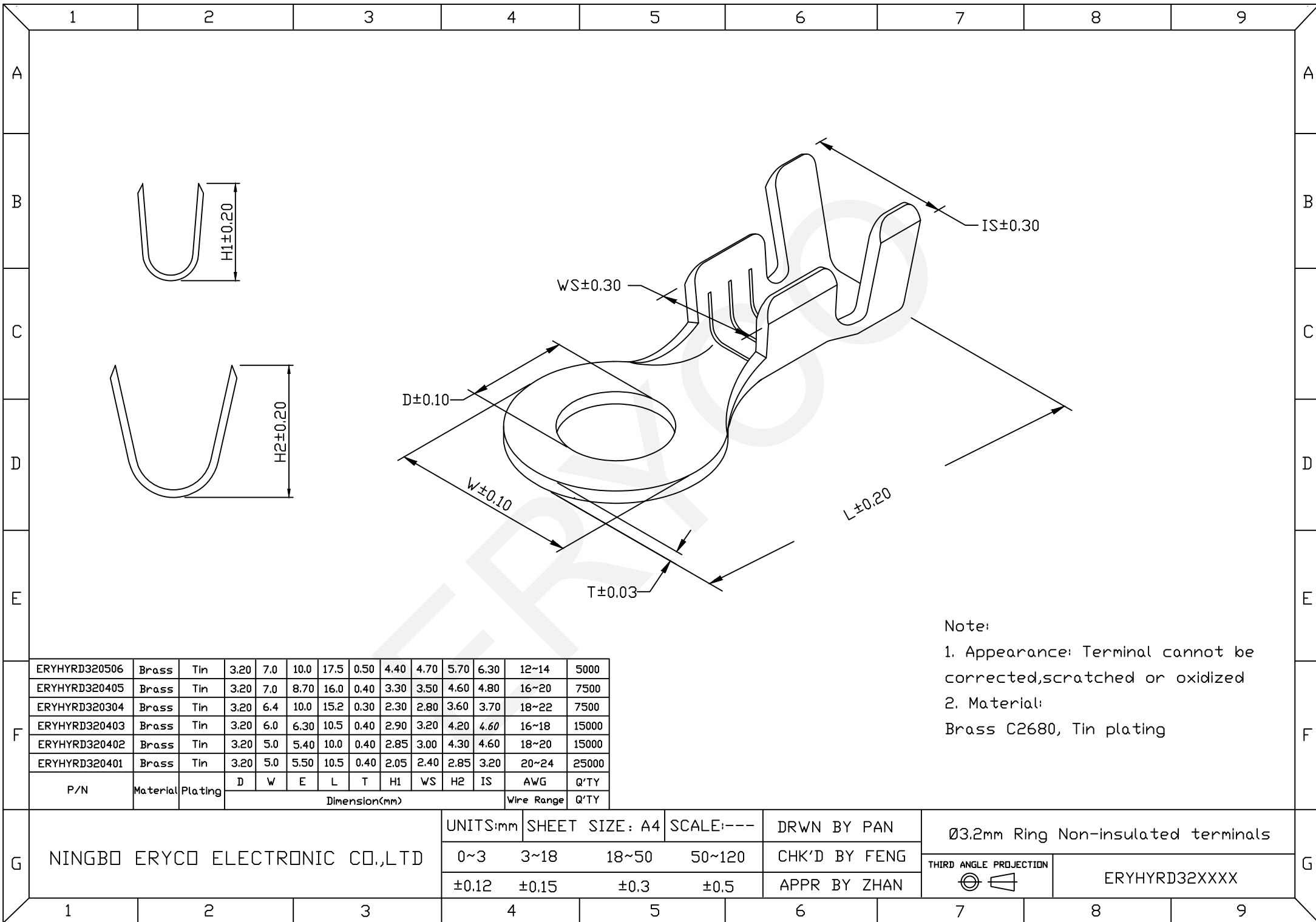
ERYHYRD200501



Note:
 1. Appearance: Terminal cannot be corrected,scratched or oxidized
 2. Material:
 Brass C2680, Tin plating

ERYHYRD250403	Brass	Tin	2.50	5.0		12.0	0.40	3.00	3.20	4.30	4.60	16~20	15000
ERYHYRD250402	Brass	Tin	2.50	5.0	5.5	10.5	0.40	2.05	2.40	2.85	3.20	20~22	25000
ERYHYRD250401	Brass	Tin	2.50	4.5		9.30	0.25	1.90	2.00	2.40	2.50	22~24	25000
P/N	Material	Plating	D	W	E	L	T	H1	WS	H2	IS	AWG	Q'TY
Dimension(mm)												Wire Range	Q'TY

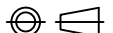
NINGBO ERYCO ELECTRONIC CO.,LTD			UNITS:mm	SHEET SIZE: A4	SCALE:---	DRWN BY PAN	Ø2.5mm Ring Non-insulated terminals		
			0~3	3~18	18~50	50~120	CHK'D BY FENG	THIRD ANGLE PROJECTION 	ERYHYRD25XXXX
			±0.12	±0.15	±0.3	±0.5	APPR BY ZHAN		

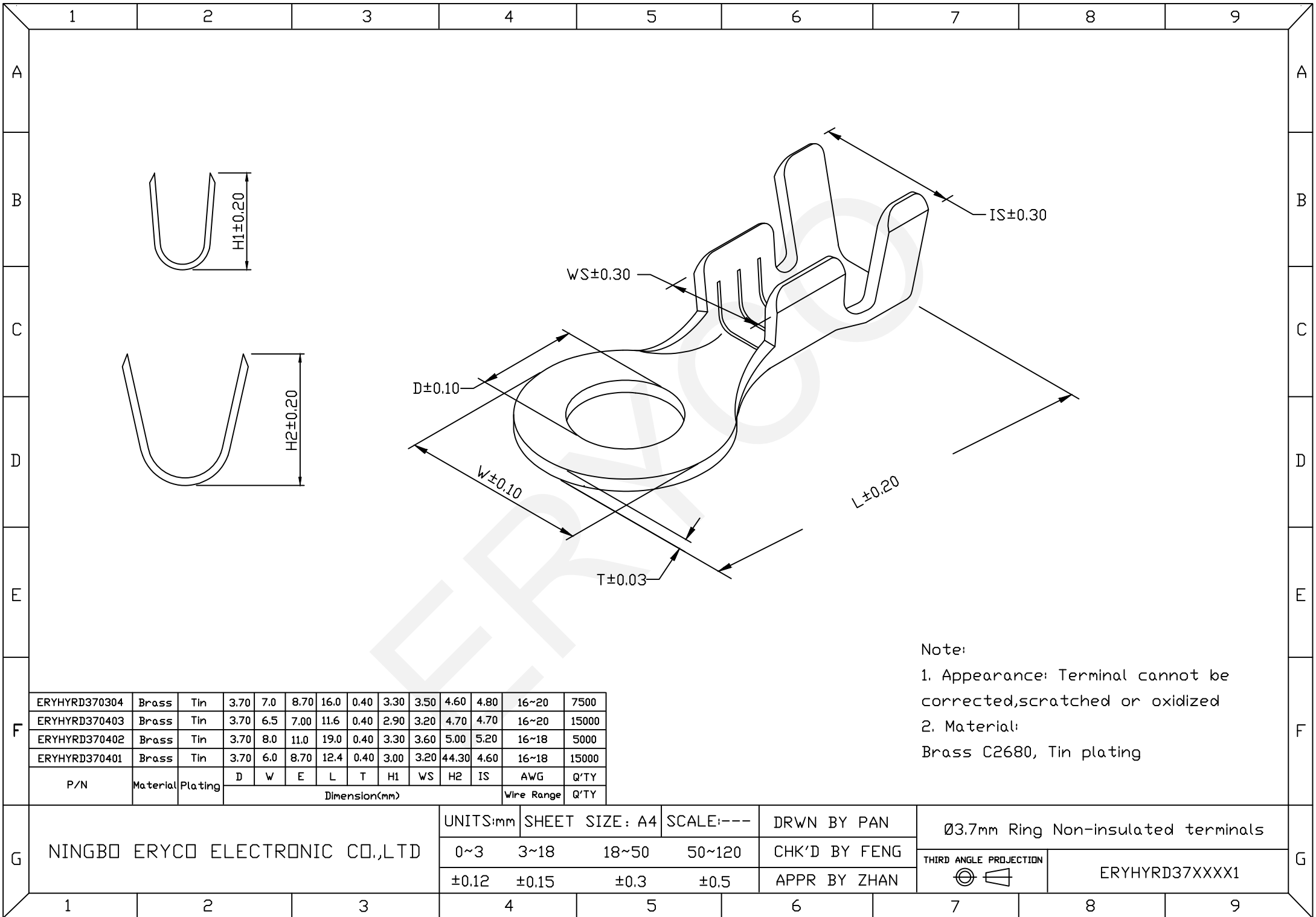


Note:
 1. Appearance: Terminal cannot be corrected, scratched or oxidized
 2. Material:
 Brass C2680, Tin plating

NINGBO ERYCO ELECTRONIC CO.,LTD

UNITS:mm SHEET SIZE: A4 SCALE:--- DRWN BY PAN
 0~3 3~18 18~50 50~120 CHK'D BY FENG
 ± 0.12 ± 0.15 ± 0.3 ± 0.5 APPR BY ZHAN

Ø3.2mm Ring Non-insulated terminals
 THIRD ANGLE PROJECTION
 ERYHYRD32XXXX

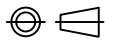


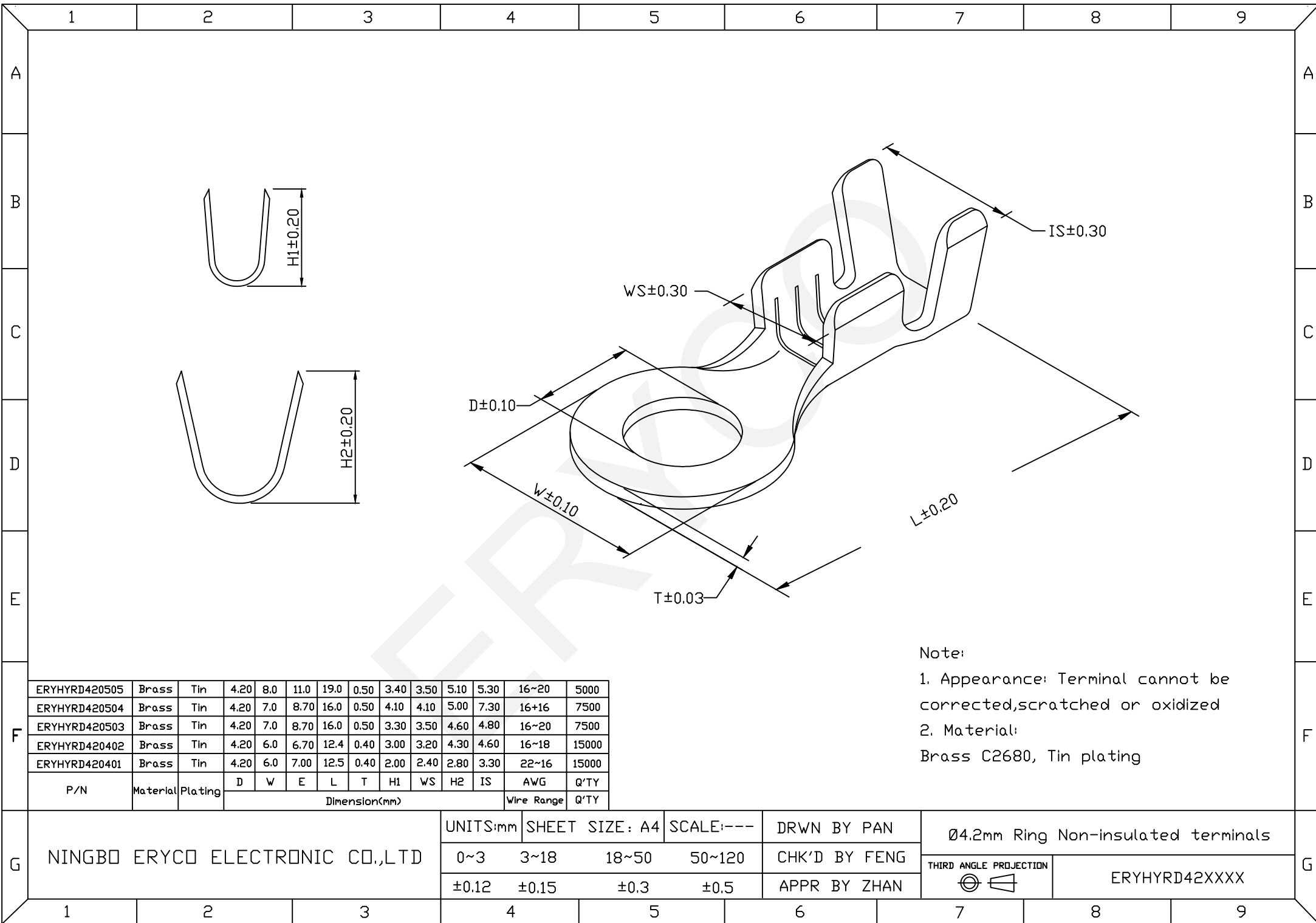
Note:
 1. Appearance: Terminal cannot be corrected, scratched or oxidized
 2. Material:
 Brass C2680, Tin plating

ERYHYRD370304	Brass	Tin	3.70	7.0	8.70	16.0	0.40	3.30	3.50	4.60	4.80	16~20	7500
ERYHYRD370403	Brass	Tin	3.70	6.5	7.00	11.6	0.40	2.90	3.20	4.70	4.70	16~20	15000
ERYHYRD370402	Brass	Tin	3.70	8.0	11.0	19.0	0.40	3.30	3.60	5.00	5.20	16~18	5000
ERYHYRD370401	Brass	Tin	3.70	6.0	8.70	12.4	0.40	3.00	3.20	44.30	4.60	16~18	15000
P/N	Material	Plating	D	W	E	L	T	H1	WS	H2	IS	AWG	Q'TY
Dimension(mm)												Wire Range	Q'TY

NINGBO ERYCO ELECTRONIC CO.,LTD

UNITS:mm	SHEET SIZE: A4	SCALE:---	DRWN BY PAN
0~3	3~18	18~50	50~120
±0.12	±0.15	±0.3	±0.5
CHK'D BY FENG		APPR BY ZHAN	

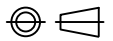
Ø3.7mm Ring Non-insulated terminals
 THIRD ANGLE PROJECTION

 ERYHYRD37XXXX1

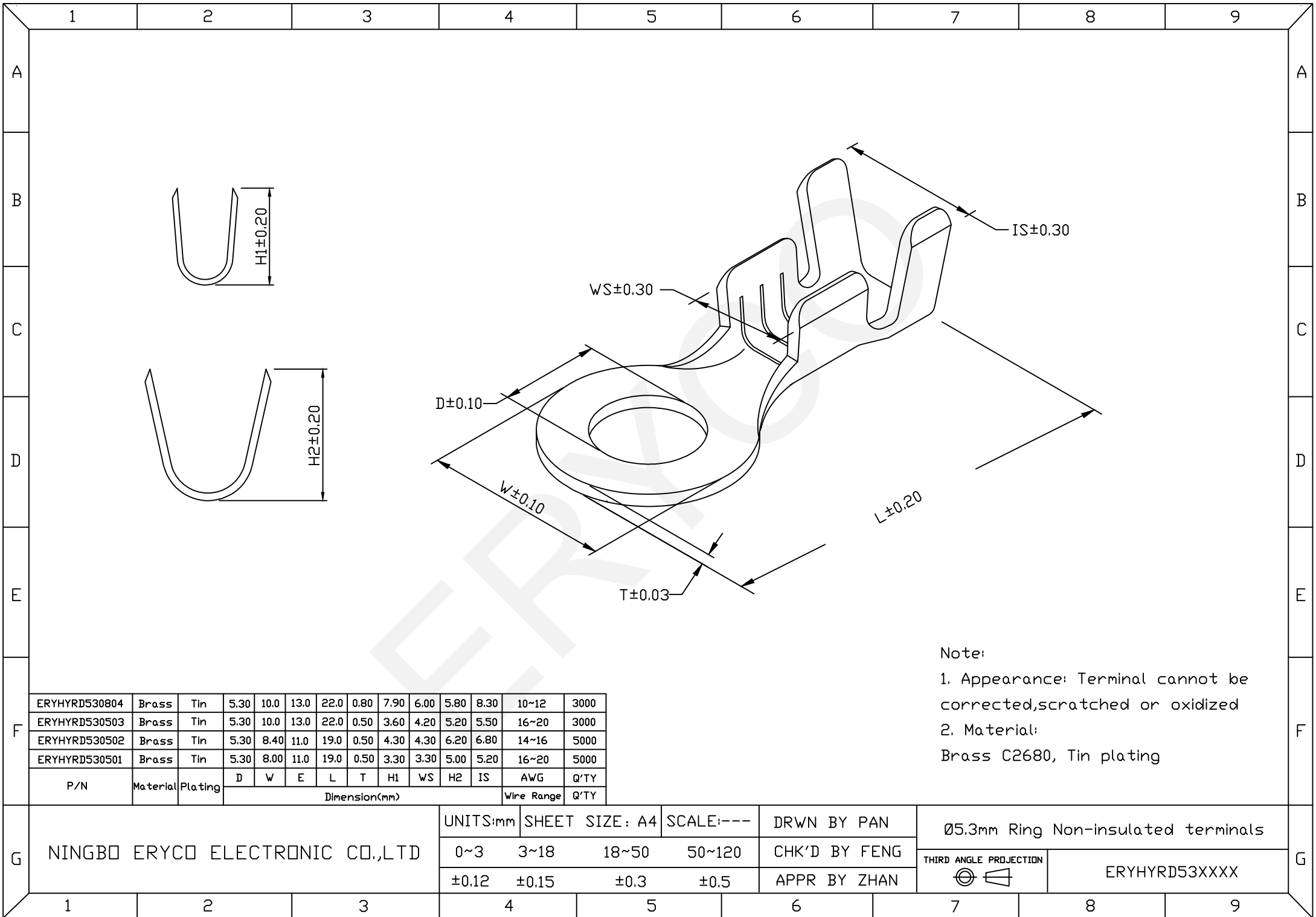


Note:
 1. Appearance: Terminal cannot be corrected, scratched or oxidized
 2. Material:
 Brass C2680, Tin plating

NINGBO ERYCO ELECTRONIC CO.,LTD

UNITS:mm	SHEET SIZE: A4	SCALE:---	DRWN BY PAN
0~3	3~18	18~50	50~120
±0.12	±0.15	±0.3	±0.5
CHK'D BY FENG		APPR BY ZHAN	

Ø4.2mm Ring Non-insulated terminals
 THIRD ANGLE PROJECTION

 ERYHYRD42XXXX

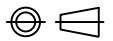


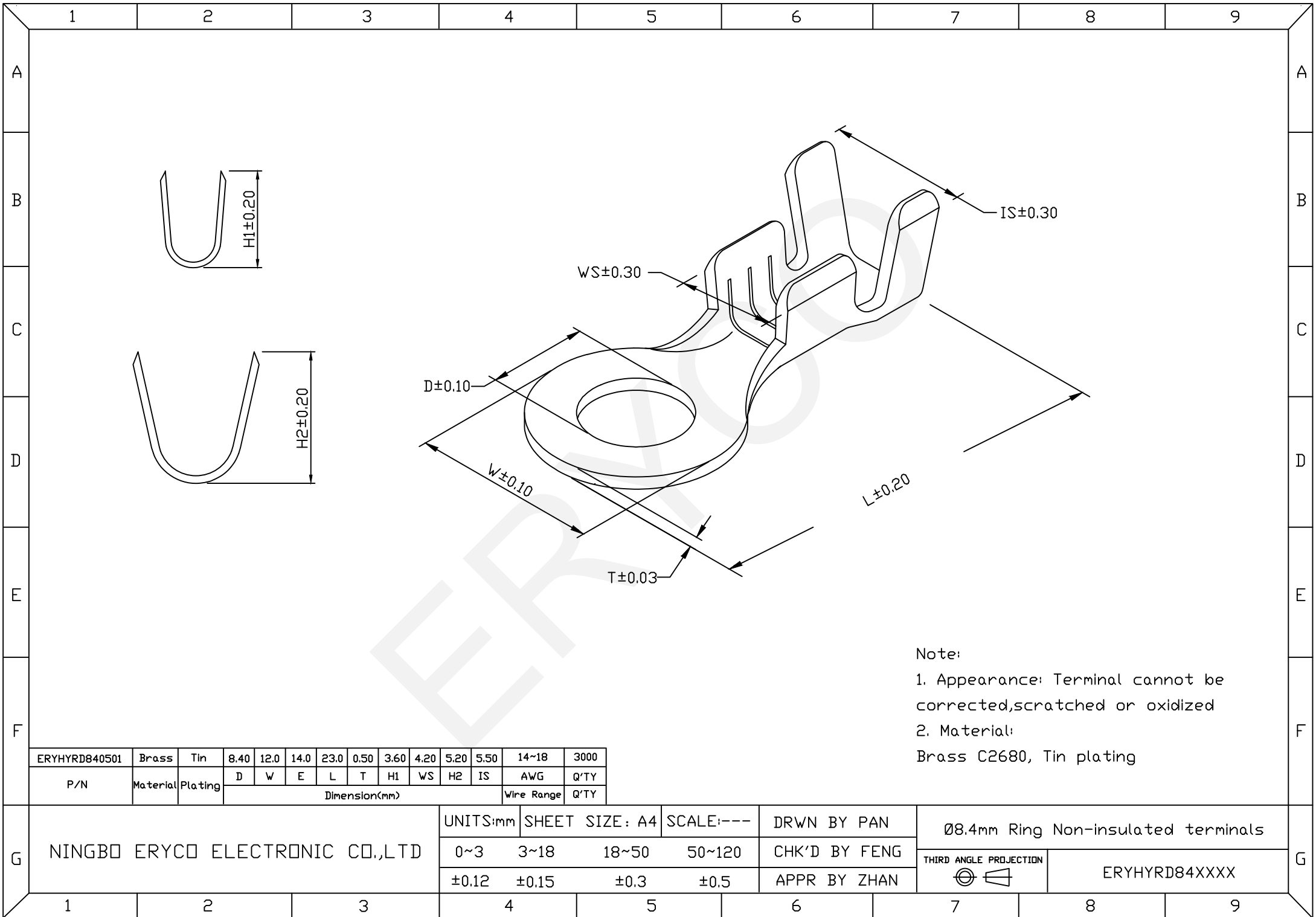
Note:

- Appearance: Terminal cannot be corrected, scratched or oxidized
- Material: Brass C2680, Tin plating

NINGBO ERYCO ELECTRONIC CO.,LTD

UNITS:mm	SHEET SIZE: A4	SCALE:---	DRWN BY PAN
0~3	3~18	18~50	50~120
±0.12	±0.15	±0.3	±0.5
CHK'D BY FENG		APPR BY ZHAN	

Ø5.3mm Ring Non-insulated terminals
 THIRD ANGLE PROJECTION

 ERYHYRD53XXXX

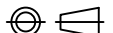


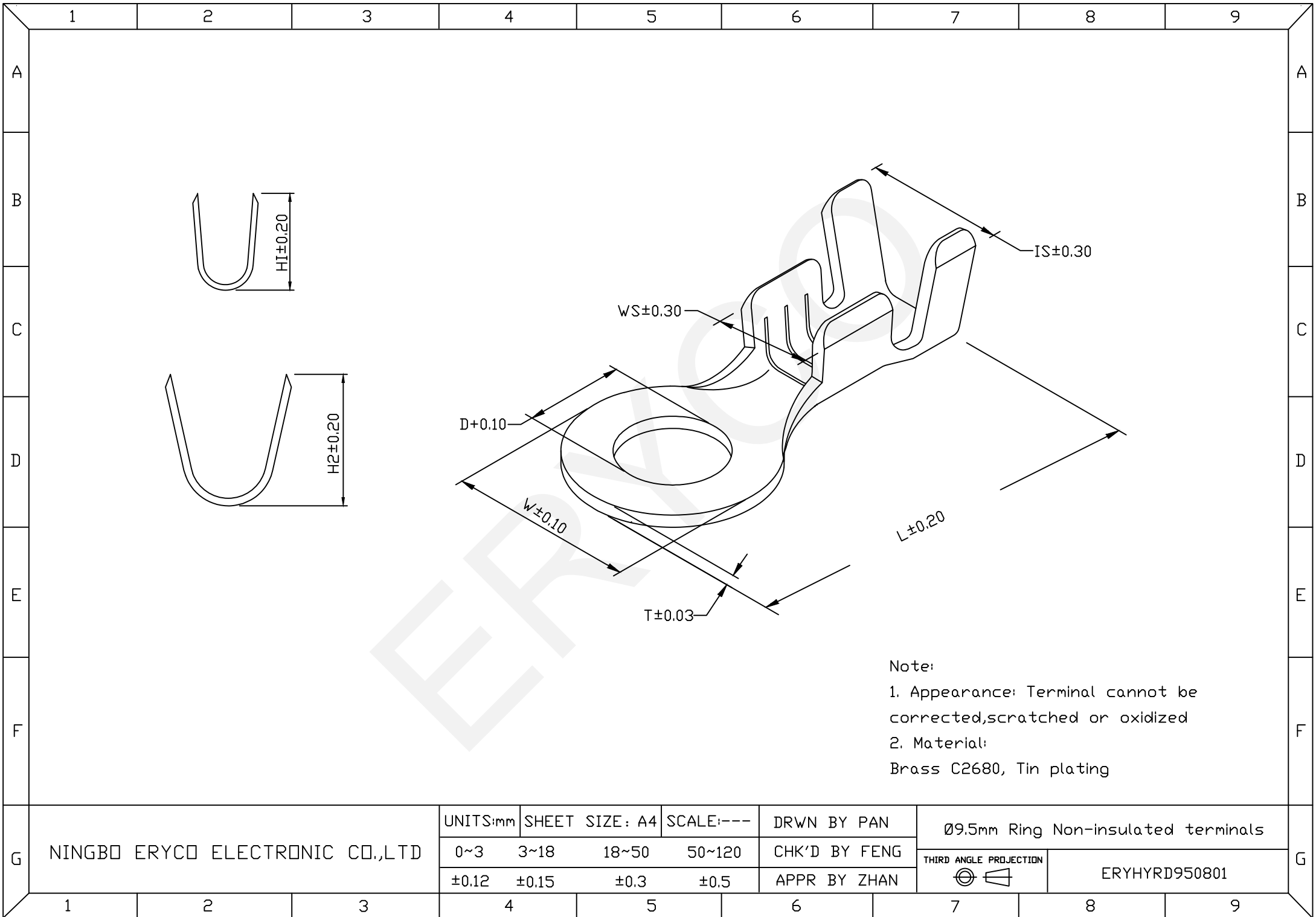
Note:
 1. Appearance: Terminal cannot be corrected,scratched or oxidized
 2. Material:
 Brass C2680, Tin plating

ERYHYRD840501	Brass	Tin	8.40	12.0	14.0	23.0	0.50	3.60	4.20	5.20	5.50	14~18	3000
P/N	Material	Plating	D	W	E	L	T	H1	WS	H2	IS	AWG	Q'TY
Dimension(mm)											Wire Range	Q'TY	

NINGBO ERYCO ELECTRONIC CO.,LTD

UNITS:mm	SHEET SIZE: A4	SCALE:---	DRWN BY PAN
0~3	3~18	18~50	50~120
±0.12	±0.15	±0.3	±0.5
CHK'D BY FENG		APPR BY ZHAN	

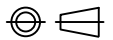
Ø8.4mm Ring Non-insulated terminals
 THIRD ANGLE PROJECTION

 ERYHYRD84XXXX

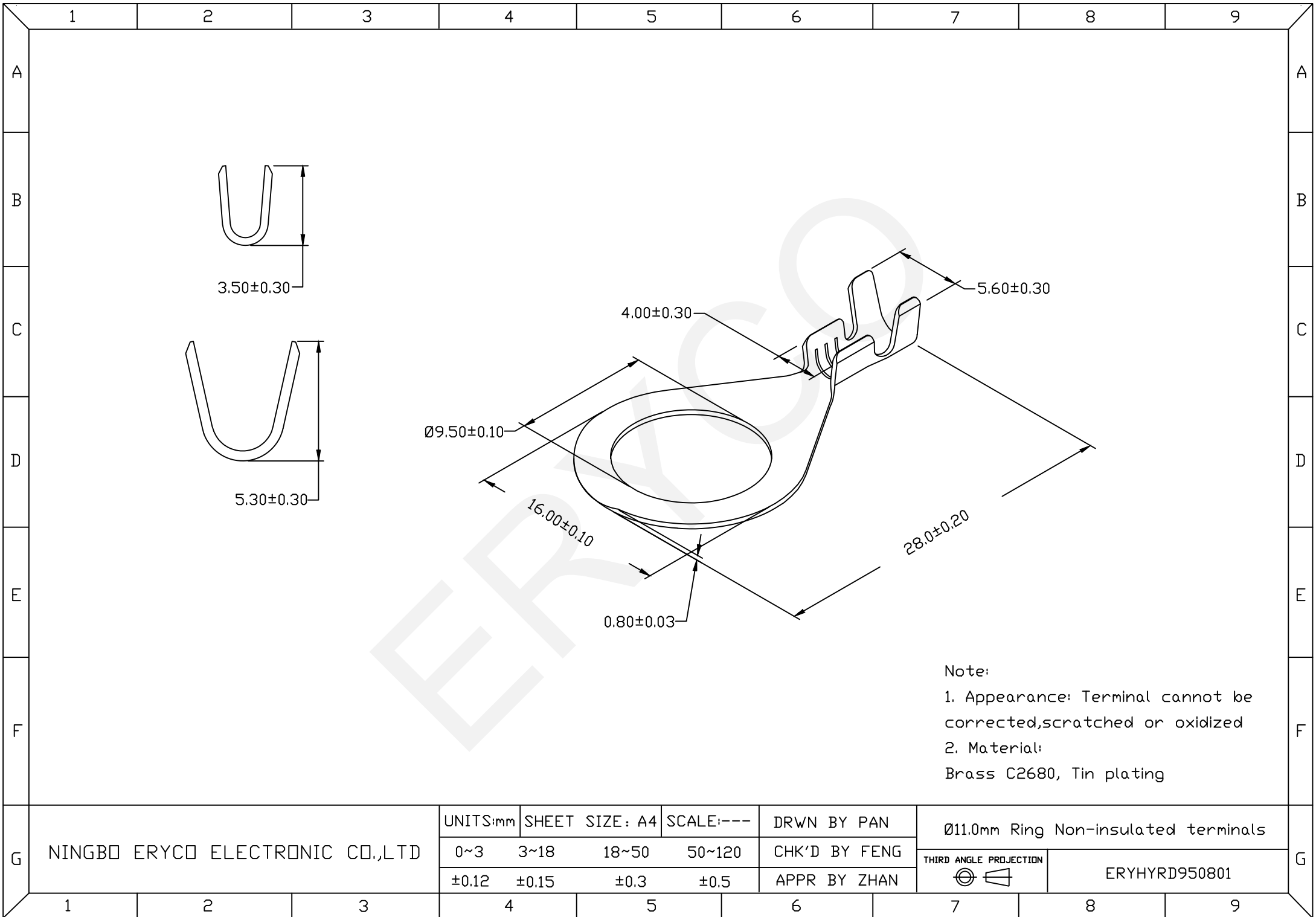


Note:
 1. Appearance: Terminal cannot be corrected, scratched or oxidized
 2. Material:
 Brass C2680, Tin plating

NINGBO ERYCO ELECTRONIC CO.,LTD

UNITS:mm	SHEET SIZE: A4			SCALE:---	DRWN BY PAN
0~3	3~18	18~50	50~120	CHK'D BY FENG	
± 0.12	± 0.15	± 0.3	± 0.5	APPR BY ZHAN	

Ø9.5mm Ring Non-insulated terminals
 THIRD ANGLE PROJECTION

 ERYHYRD950801

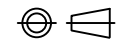


NINGBO ERYCO ELECTRONIC CO.,LTD

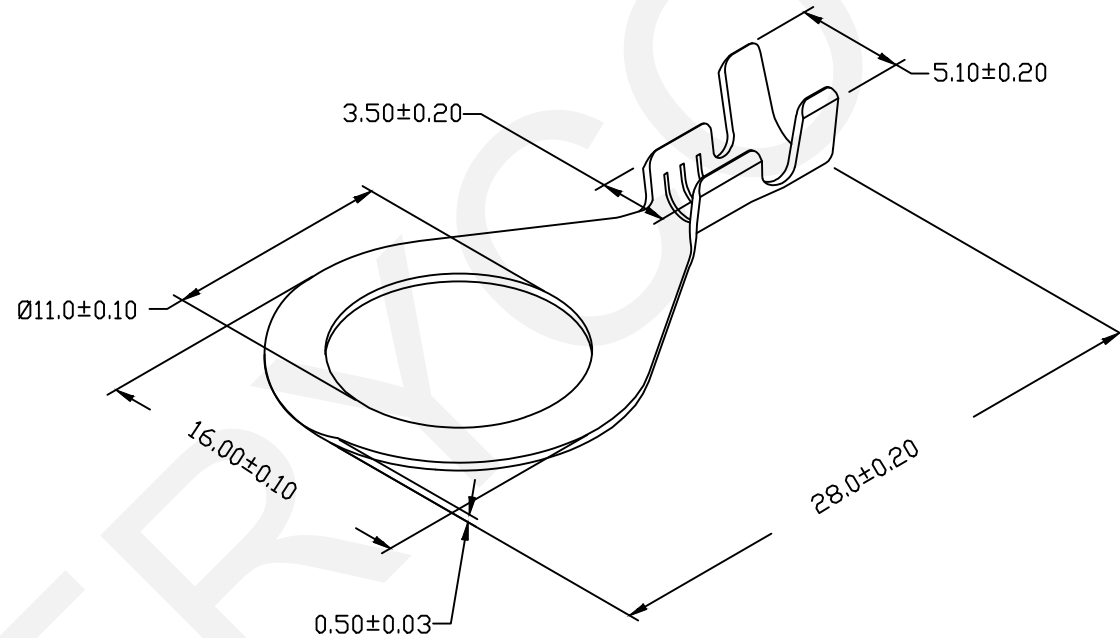
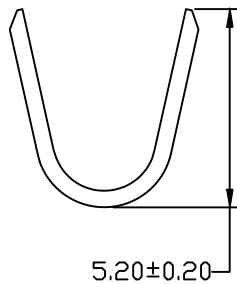
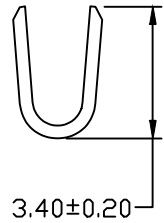
UNITS:mm	SHEET SIZE: A4			SCALE:---	DRWN BY PAN
0~3	3~18	18~50	50~120	CHK'D BY FENG	
±0.12	±0.15	±0.3	±0.5	APPR BY ZHAN	

Ø11.0mm Ring Non-insulated terminals

THIRD ANGLE PROJECTION



ERYHYRD950801



Note:

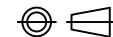
1. Appearance: Terminal cannot be corrected, scratched or oxidized
2. Material: Brass C2680, Tin plating

NINGBO ERYCO ELECTRONIC CO.,LTD

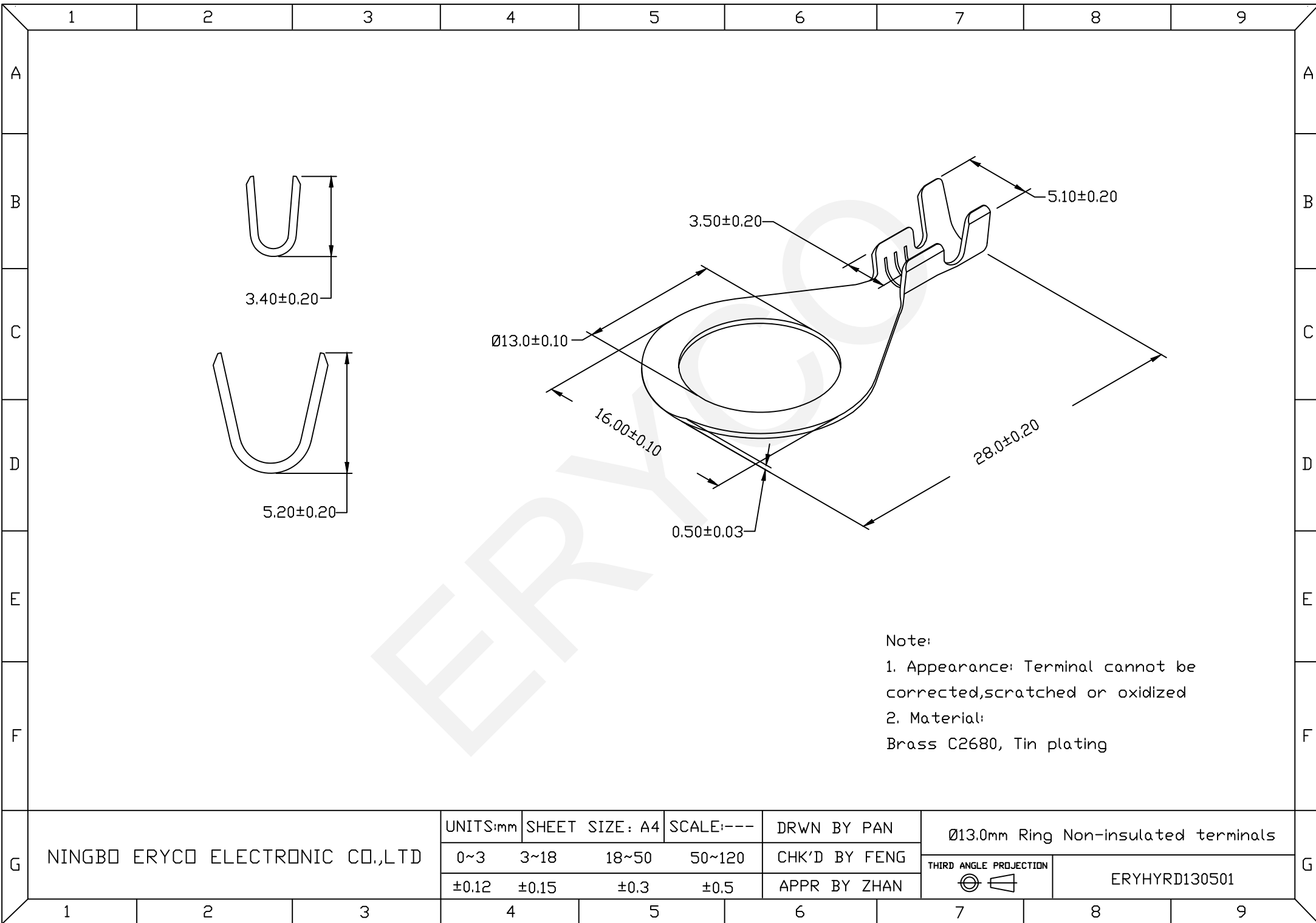
UNITS:mm	SHEET SIZE: A4			SCALE:---	DRWN BY PAN
0~3	3~18	18~50	50~120	CHK'D BY FENG	
±0.12	±0.15	±0.3	±0.5	APPR BY ZHAN	

Ø11.0mm Ring Non-insulated terminals

THIRD ANGLE PROJECTION



ERYHYRD110501

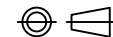


NINGBO ERYCO ELECTRONIC CO.,LTD

UNITS:mm	SHEET SIZE: A4			SCALE:---	DRWN BY PAN
0~3	3~18	18~50	50~120	CHK'D BY FENG	
± 0.12	± 0.15	± 0.3	± 0.5	APPR BY ZHAN	

$\varnothing 13.0\text{mm}$ Ring Non-insulated terminals

THIRD ANGLE PROJECTION



ERYHYRD130501