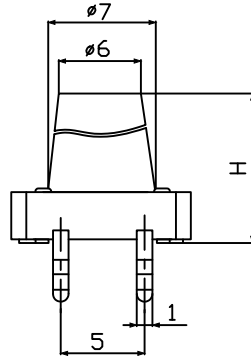
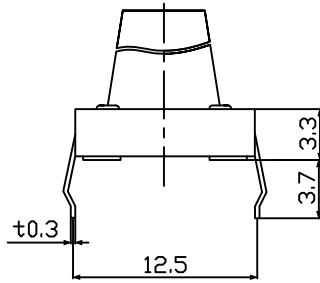


Dimension (unit: mm)



H
4.3
4.5
5.0
7.0
7.5
8.0
8.5
9.0
10.0
11.0
12.0
13.0
15.0
18.0

ELECTRICAL

1. Rating: 50mA 12VDC
2. Contact Resistance: $\leq 50\Omega$ max (Initial)
3. Insulation Resistance: $\geq 100M\Omega$ (min DC 250V)
4. Dielectric Strength: AC250V (50/60Hz For 1minute)
5. Electrically Life: 100000 Cycles
6. Environment Temperature: $-20^{\circ}\text{C} \sim +70^{\circ}\text{C}$
7. Operating Force: 180/250 (± 30 gf)
8. Seal Temperature: $260^{\circ}\text{C} \sim 280^{\circ}\text{C}$

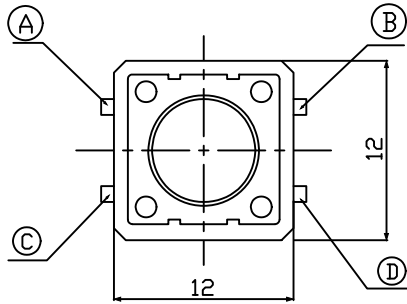
ORDER INFORMATION

ERYGYS1202-4.3-180

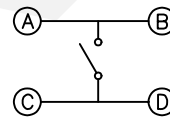
Series No _____

Height: 4.3mm/4.5mm/5.0mm/
7.0mm/7.5mm/8.0mm/8.5mm/
9.0mm/10.0mm/11.0mm/12.0mm
/13.0mm/15.0mm/18.0mm

Operating Force: 180~250gf _____



PCB LAYOUT



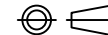
SCHEMATIC

NINGBO ERYCO ELECTRONIC CO.,LTD

UNITS:mm	SHEET SIZE: A4		SCALE:----	DRWN BY PAN
0~3	3~18	18~50	50~120	CHK'D BY FENG
±0.12	±0.15	±0.3	±0.5	APPR BY ZHAN

12x12 Tact Switch Series

THIRD ANGLE PROJECTION



ERYGYS1202