

NINGBO ERYCO ELECTRONIC CO.,LTD

ERYGYW10 Micro Switch Series

Action sensitive subminiature switch

Mini-type, big current. Characteristic: small contact gap, quick action, high sensitivity and small operating travel

Long life

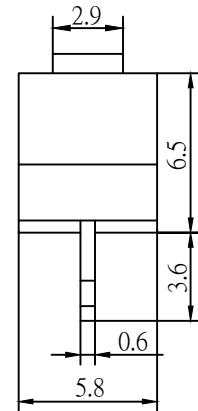
A variety of contact terminals

A variety of levers

Widely used in home appliance, audio video device, computer, office automation equipment, communication equipment, etc.

Withstand Voltage: AC250V(50Hz)Min.

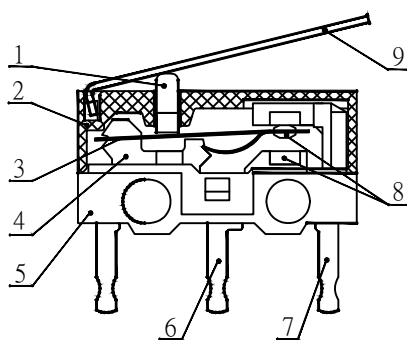
Temperature: -40°C~+70°C



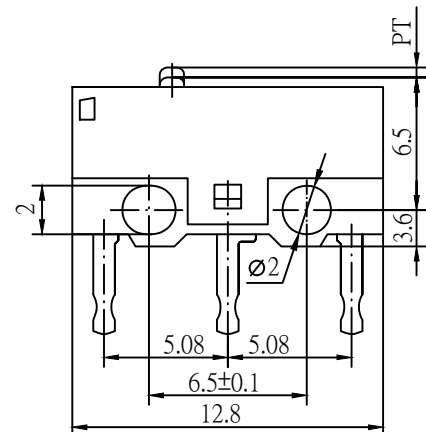
Specifications

Item	Value	
Operating speed	1mm~500mm/s(Related with actuator forms)	
Operating frequency	Mechanical 60 cycles/min; Electrical 25cycles/min	
Insulation resistance	$\geq 100M\Omega$ (500VDC)	
Contact resistance	OF>0.75N: $\leq 30m\Omega$ (see note) OF $\leq 0.75N$: $\leq 50m\Omega$ (see note) RHTGYW10-D · E · F Type: $\leq 100m\Omega$ (See Notes)	
Test voltage	Between terminals of the same polarity	AC600V, 50/60Hz, 1min
	Between current-carrying metal parts and ground(case), and between each terminal and non-current-carrying metal parts.	AC1000V, 50/60Hz, 1min
Vibration resistance	10~55Hz, 1.5mm Double Amplitude	
Shock resistance	Malfunction: $300m/s^2$ (approx. 30G) max	
Life expectancy	Mechanical $\geq 1,000,000$ cycles Electrical $\geq 10,000$ cycles	
Weight	Approx. 0.6g(No lever)	
Safety approvals	UL · CUL · TUV · CE · EK · CQC	

Internal Configuration Drawing



- 1: Plunger
- 2: Cover
- 3: Moving Piece
- 4: Support
- 5: Case
- 6: NO Terminal
- 7: NC Terminal
- 8: Contact
- 9: Moving Arm



NINGBO ERYCO ELECTRONIC CO.,LTD

ERYGYW10 Micro Switch Series

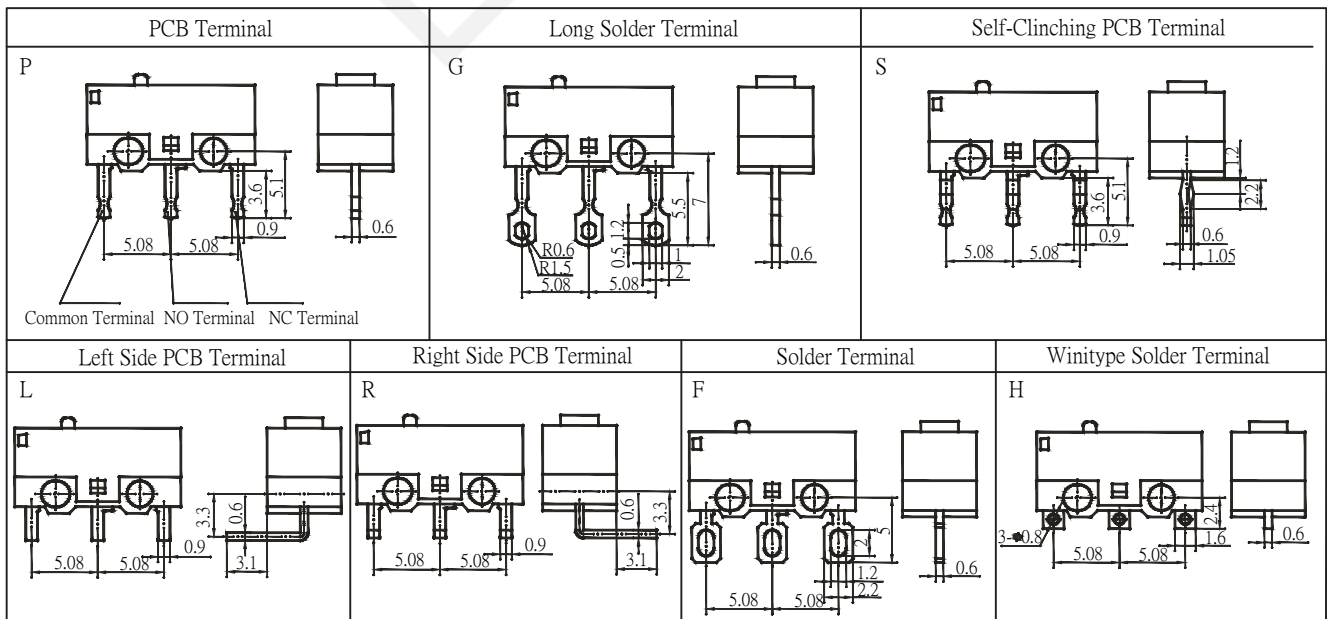
ORDER INFORMATION

ERYGYW10 - X X X X X - (X)

Micro Switch Type

<p>Rating :</p> <p>No mark :1(0.5)A250V /1A125VAC</p> <p>3 : 3(0.5)A250V / 3A125VAC</p> <p>D :0.5(0.2)A250V / 0.5A125VAC</p> <p>E :0.3(0.1)A250V /0.3A125VAC</p> <p>F :0.1(0.05)A250V /0.1A125VAC</p>	<p>Additional spec numbers apply to when used not standard parts such as not standard terminal when customer has particular operating value or other require ments</p>								
<table border="1" style="width: 100%; border-collapse: collapse;"> <tr> <th style="width: 15%;">Circuit</th> <th style="width: 85%;">Diagram</th> </tr> <tr> <td>Z:SPDT</td> <td></td> </tr> <tr> <td>T:SPST NO</td> <td></td> </tr> <tr> <td>D:SPST NC</td> <td></td> </tr> </table>	Circuit	Diagram	Z:SPDT		T:SPST NO		D:SPST NC		<p>Operating force</p> <p>045 : 0.45N</p> <p>075 : 0.75N</p> <p>150 : 1.5N</p> <p>160 : 1.6N</p> <p>Note : if it is not standard operating force indicate With the upper limit</p>
Circuit	Diagram								
Z:SPDT									
T:SPST NO									
D:SPST NC									
	<p>Terminal Types</p> <p>F:Solder terminal</p> <p>G:Long s older terminal</p> <p>P:PCB terminal</p> <p>L:Left side PCB terminal</p> <p>R:Right side PCB terminal</p> <p>S:Self clinching PCB terminal</p> <p>Y:Not standard terminal</p>								
	<p>Actuator forms</p> <table style="width: 100%;"> <tr> <td>0 :No lever</td> <td>1 Short lever</td> </tr> <tr> <td>2: Long lever</td> <td>3 Middle lever</td> </tr> <tr> <td>5 :Roller</td> <td>6 Long arc lever</td> </tr> <tr> <td>8 :Short arc lever</td> <td></td> </tr> </table> <p>□:Not standard lever</p>	0 :No lever	1 Short lever	2: Long lever	3 Middle lever	5 :Roller	6 Long arc lever	8 :Short arc lever	
0 :No lever	1 Short lever								
2: Long lever	3 Middle lever								
5 :Roller	6 Long arc lever								
8 :Short arc lever									

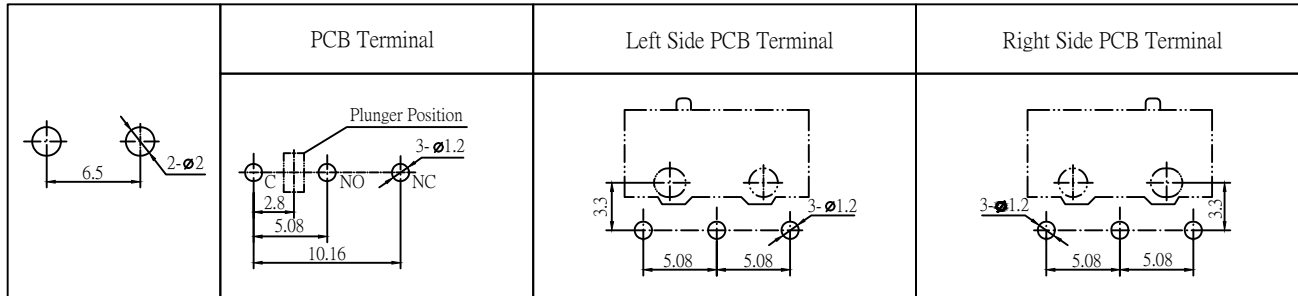
◆ Terminal Dimensions



NINGBO ERYCO ELECTRONIC CO.,LTD

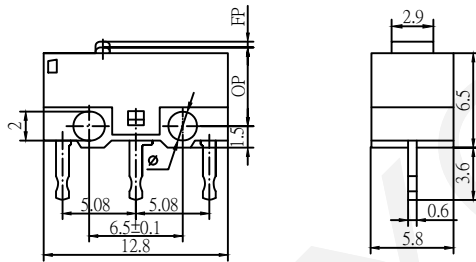
ERYGYW10 Micro Switch Series

◆ Mounting Hole Dimensions



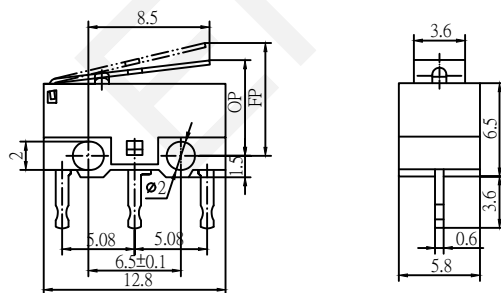
◆ Dimensions And Operating Characteristics

ERYGYW10-Z0P45
ERYGYW10-Z0P75
ERYGYW10-Z0P150



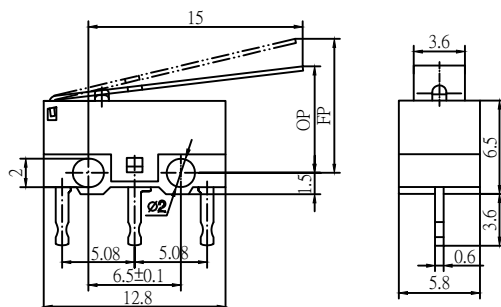
Model	Z0P45	Z0P75	Z0P150
OF Max(N)	0.45	0.75	1.50
RF Min(N)	0.05	0.08	0.40
PT Max(mm)	0.5		
OT Min(mm)	0.2		
MD Max(mm)	0.2		
OP(mm)	5.5 \pm 0.3		

ERYGYW10-Z1P30
ERYGYW10-Z1P45
ERYGYW10-Z1P75



Model	Z1P30	Z1P45	Z1P75
OF Max(N)	0.26	0.53	0.90
RF Min(N)	0.04	0.08	0.15
PT Max(mm)	0.6		
OT Min(mm)	0.6		
MD Max(mm)	9.0		
OP(mm)	6.7 \pm 1		

ERYGYW10-Z2P30
ERYGYW10-Z2P45
ERYGYW10-Z2P75

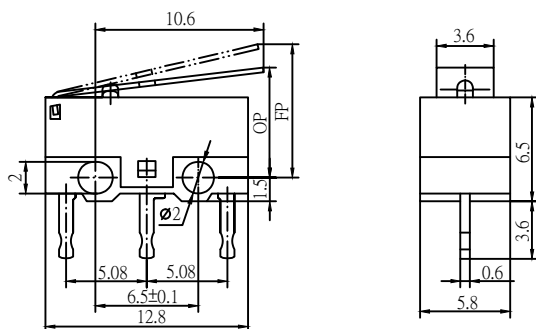


Model	Z2P30	Z2P45	Z2P75
OF Max(N)	0.17	0.33	0.55
RF Min(N)	0.02	0.04	0.08
PT Max(mm)	1.0		
OT Min(mm)	1.0		
MD Max(mm)	10.0		
OP(mm)	7.6 \pm 1.5		

NINGBO ERYCO ELECTRONIC CO.,LTD

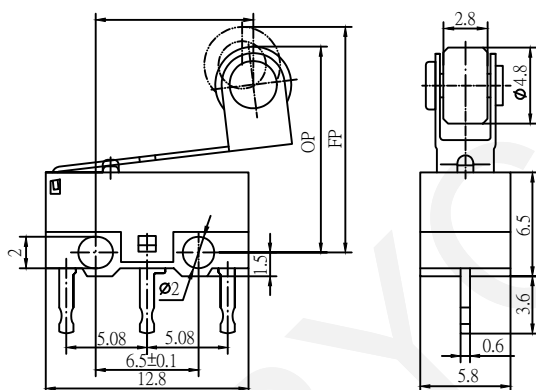
ERYGYW10 Micro Switch Series

ERYGYW10-Z3P30
ERYGYW10-Z3P45
ERYGYW10-Z3P75



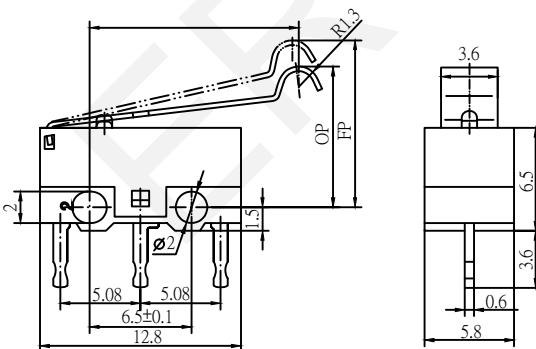
Model	Z3P30	Z3P45	Z3P75
OF Max(N)	0.23	0.45	0.75
RF Min(N)	0.03	0.06	0.12
PT Max(mm)	0.7		
OT Min(mm)	0.7		
MD Max(mm)	9.5		
OP(mm)	7±1.2		

ERYGYW10-Z5P30
ERYGYW10-Z5P45
ERYGYW10-Z5P75



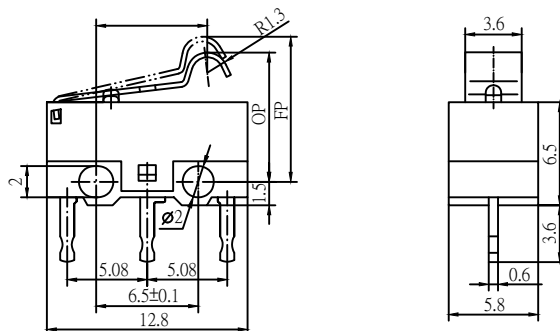
Model	Z5P30	Z5P45	Z5P75
OF Max(N)	0.23	0.46	0.77
RF Min(N)	0.02	0.05	0.10
PT Max(mm)	0.7		
OT Min(mm)	0.7		
MD Max(mm)	16.5		
OP(mm)	13±1.5		

ERYGYW10-Z6P30
ERYGYW10-Z6P45
ERYGYW10-Z6P75



Model	Z6P30	Z6P45	Z6P75
OF Max(N)	0.18	0.36	0.60
RF Min(N)	0.02	0.05	0.10
PT Max(mm)	0.9		
OT Min(mm)	0.9		
MD Max(mm)	11.5		
OP(mm)	8.6±1		

ERYGYW10-Z8P30
ERYGYW10-Z8P45
ERYGYW10-Z8P75

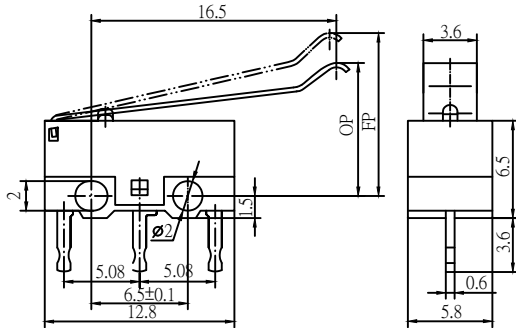


Model	Z8P30	Z8P45	Z8P75
OF Max(N)	0.30	0.60	1.00
RF Min(N)	0.03	0.06	0.12
PT Max(mm)	0.6		
OT Min(mm)	0.6		
MD Max(mm)	10.5		
OP(mm)	8.6±1		

NINGBO ERYCO ELECTRONIC CO.,LTD

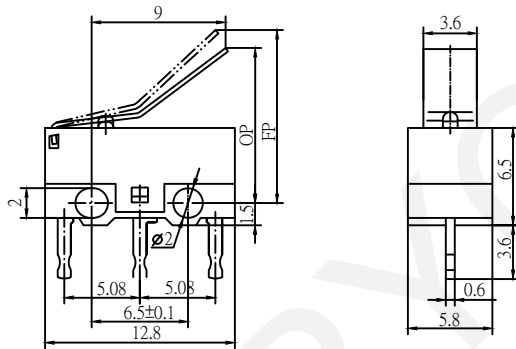
ERYGYW10 Micro Switch Series

ERYGYW10-ZEP30
ERYGYW10-ZEP45
ERYGYW10-ZEP75



Model	ZEP30	ZEP45	ZEP75
OF Max(N)	0.15	0.30	0.50
RF Min(N)	0.02	0.05	0.10
PT Max(mm)	1.1		
OT Min(mm)	1.0		
MD Max(mm)	11.5		
OP(mm)	8.5±1.5		

ERYGYW10-ZBP30
ERYGYW10-ZBP45
ERYGYW10-ZBP75



Model	ZBP30	ZBP45	ZBP75
OF Max(N)	0.25	0.50	0.80
RF Min(N)	0.02	0.05	0.10
PT Max(mm)	0.6		
OT Min(mm)	0.6		
MD Max(mm)	12.5		
OP(mm)	10.5±1.5		