

1 2 3 4 5 6 7 8 9

A

A

B

B

C

C

D

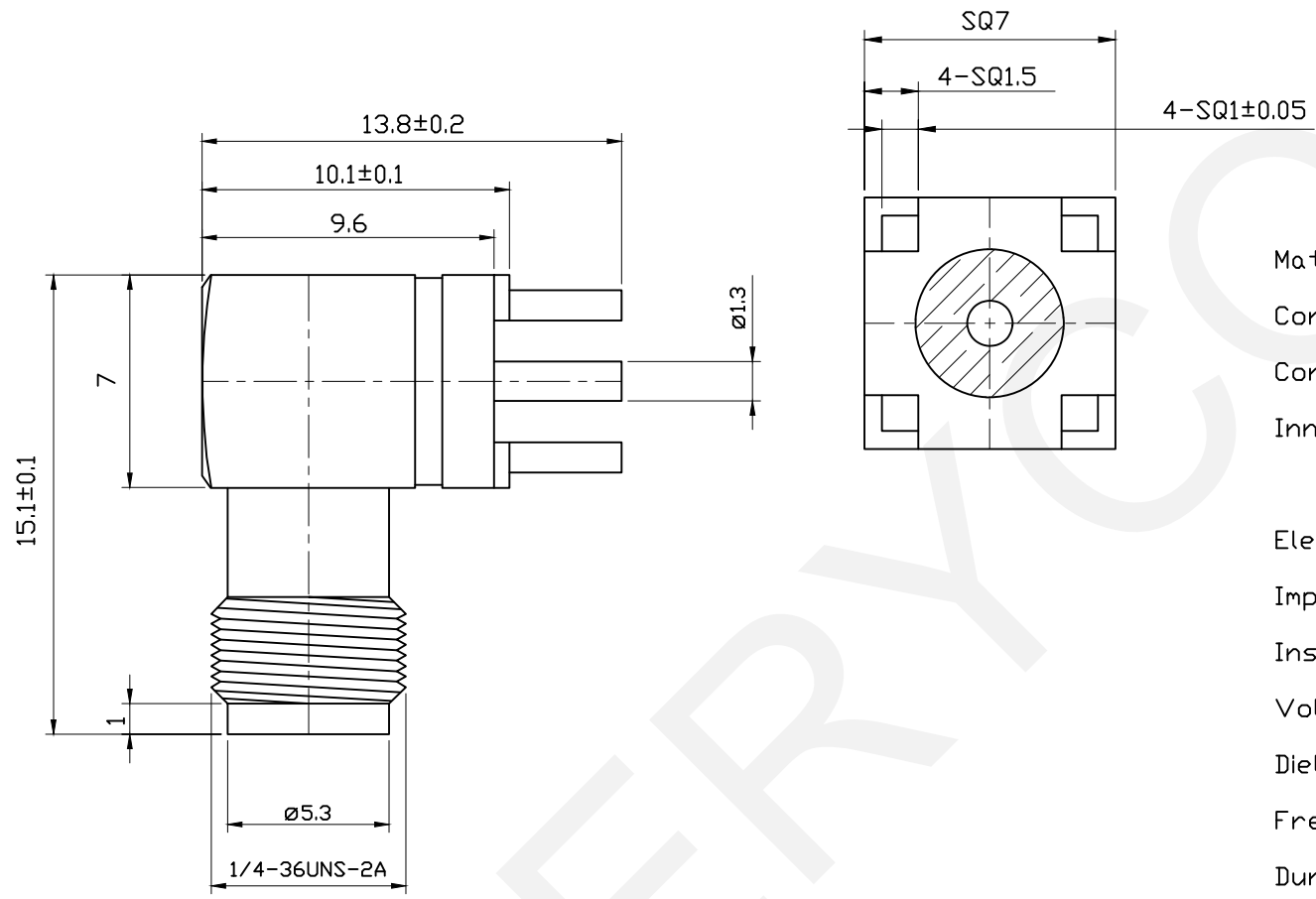
D

E

E

F

F



Material:

- Connector body: Environmental brass
- Connector housing: Gold Plated
- Inner Conductor: Gold plating

Electrical Specifications:

- Impedance: 50Ω
- Insulation Resistance: 5,000MΩ
- Voltage Rating: 335V
- Dielectric Withstanding Voltage: 1000Vrms
- Frequency Range: 0-6 GHz, VSWR 1.3 Max
- Durability: 500 Cycles Min
- Temperature Range: -55°C to +165°C

G

G

NINGBO ERYCO ELECTRONIC CO.,LTD

UNITS:mm	SHEET SIZE: A4			SCALE:---	DRWN BY PAN
0~3	3~18	18~50	50~120	CHK'D BY FENG	
±0.12	±0.15	±0.3	±0.5	APPR BY ZHAN	

PCB Mount SMA Connector Right Angle Jack Male	
THIRD ANGLE PROJECTION	ERYAYMA-KWE

1 2 3 4 5 6 7 8 9