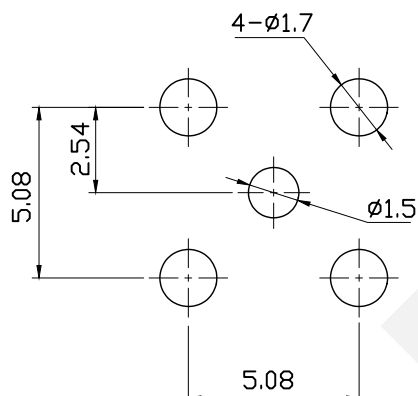
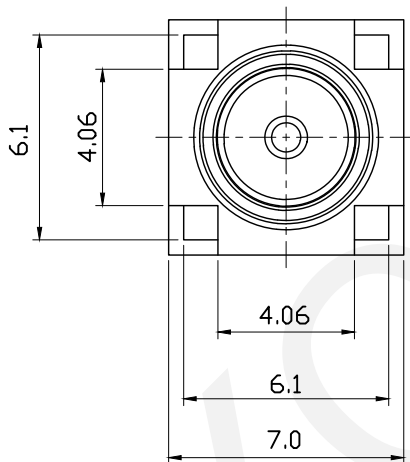
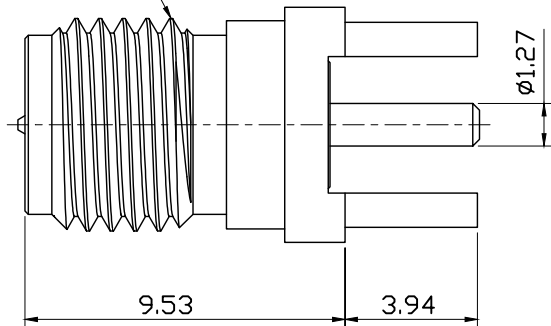
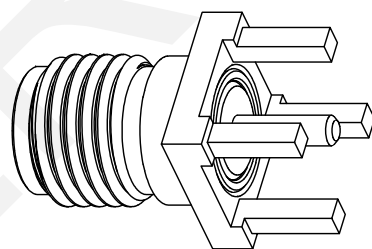


1/4-36UNS-2A



PCB Mounting Hole



Notes:

1. Materials And Finishes:

Body:Brass, Gold Plating

Contact:Brass, Gold Plating

Insulator:PTFE,Natural

2.Electrical:

Impedance:50ΩM

Frequency Range:0-6 GHz

Dielectric Withstanding Voltage :1000VRMS,Min.

3.Mechanical:

Durability:500Cycles Min.

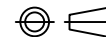
Temperature Range:-65°C TO + 165°C

NINGBO ERYCO ELECTRONIC CO.,LTD

UNITS:mm	SHEET SIZE: A4			SCALE:----	DRWN BY PAN
0~3	3~18	18~50	50~120	CHK'D BY FENG	
±0.12	±0.15	±0.3	±0.5	APPR BY ZHAN	

PCB Mount SMA Connector
Straight Jack, Male, 50Ω L13.5mm

THIRD ANGLE PROJECTION



ERYAYMA003